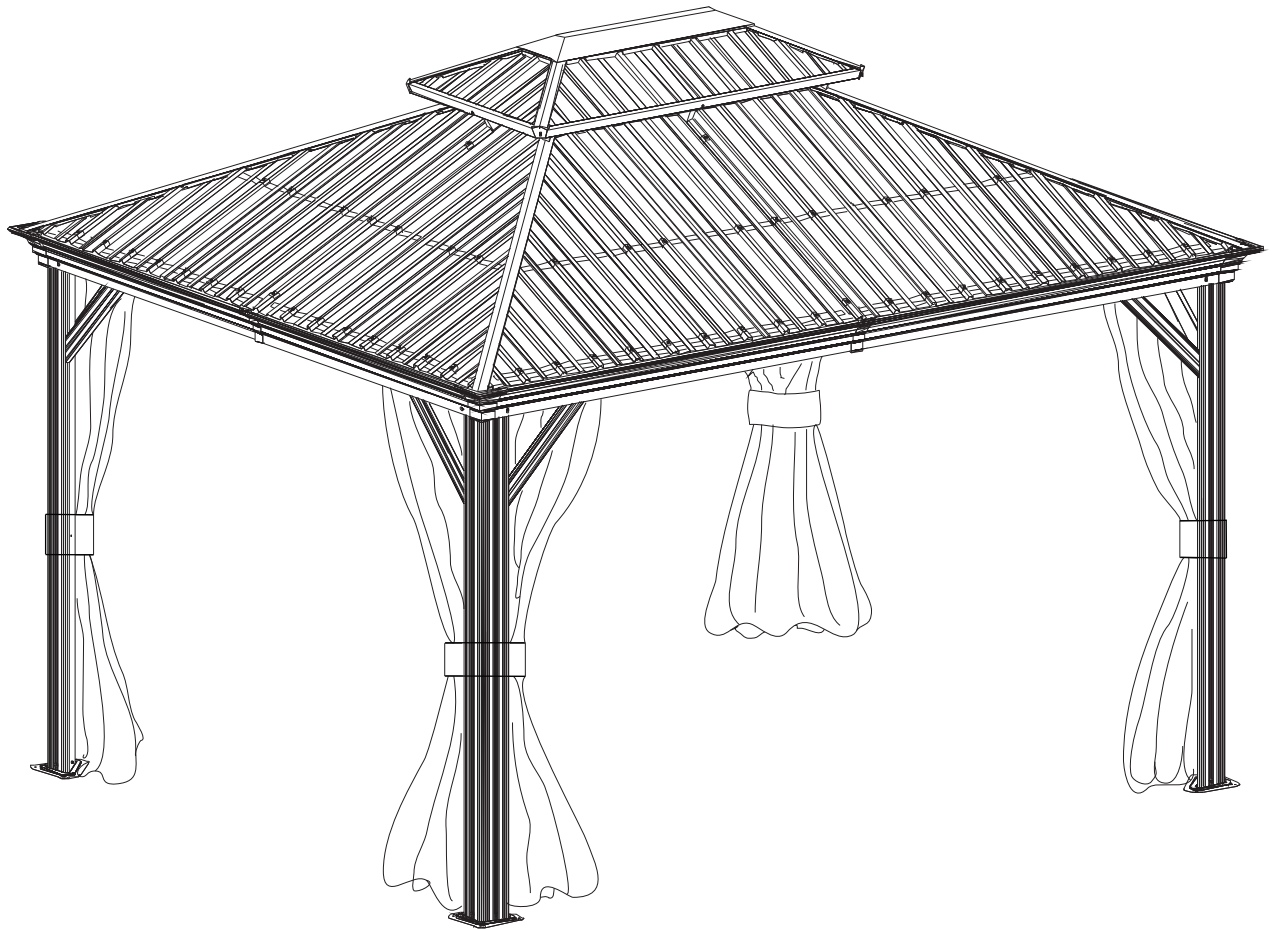




*Enjoy Cozy Life!*

**10'x12' HARDTOP GAZEBO WITH  
DOUBLE ROOF  
ASSEMBLY MANUAL**

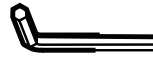


**KOZYARD LLC PRODUCTS**

[www.kozyard.com](http://www.kozyard.com)



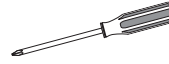
1. Two or more people are required for assembly.



5. Use the hex keys in the box.



2. You will need one or more stepladders.



6. Please use a Phillips screwdriver.



3. Wearing protective gloves is recommended.



7. Do not fully tighten screws prior to complete assembly.

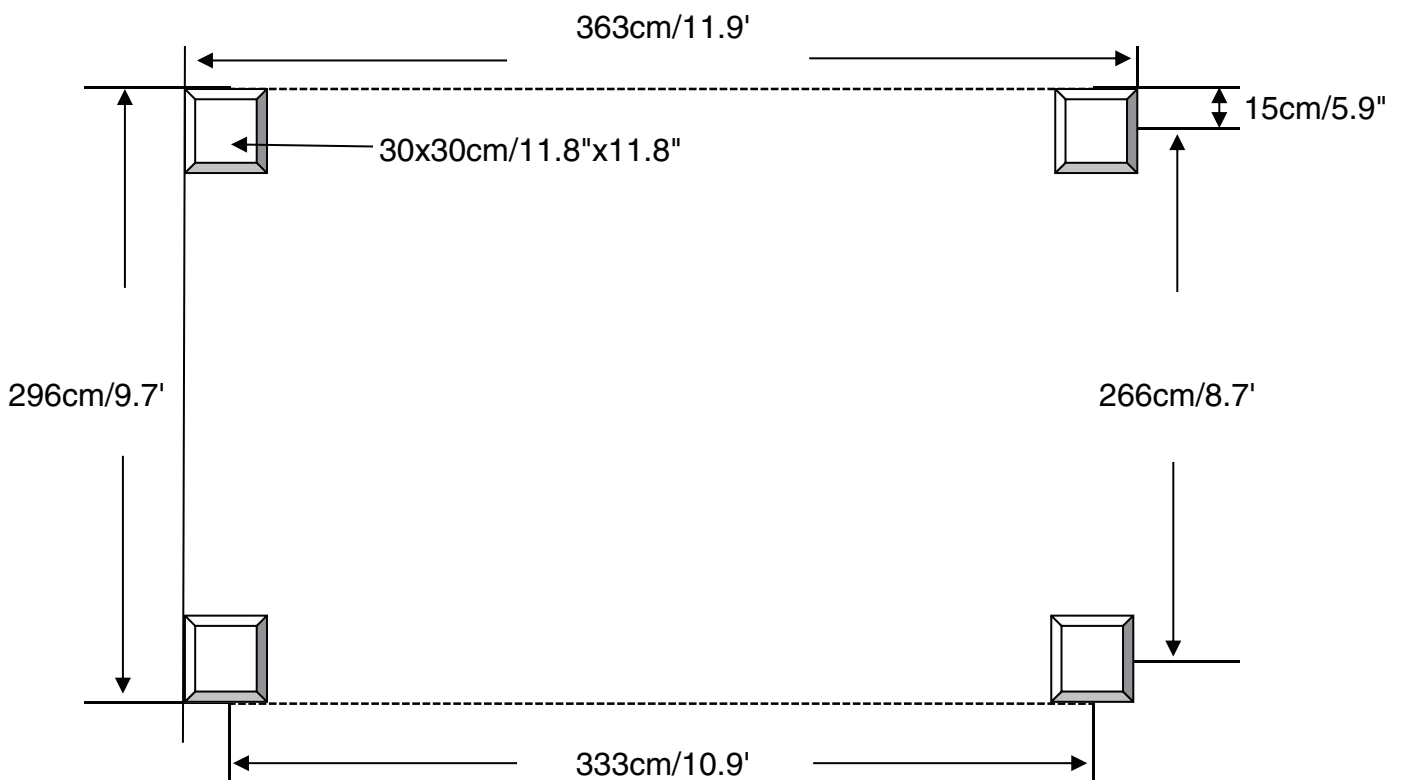


4. You may need a safety hat.



8. For ease of construction, you may need to use a drill.

## 10x12' ANCHOR BLUEPRINT





A (x4)



J1 (x4)



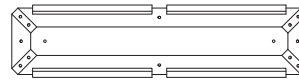
B (x2)



J2 (x4)



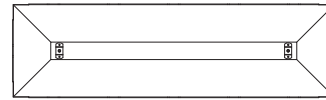
B1 (x2)



K (x1)



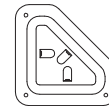
B2 (x2)



K1 (x1)



C (x2)



L (x4)



C1 (x2)



M (x4)



C2 (x2)



N (x4)



D (x2)



D1 (x2)



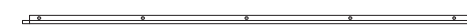
D2 (x2)



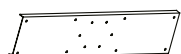
E (x2)



E1 (x2)



E2 (x2)



F (x4)



G (x4)



H (x4)



H1 (x4)



H2 (x1)

ITEM	DESCRIPTION	QTY
A	Pole	4
B	Beam	2
B1	Joint Bar	2
B2	Sidewall Track	2
C	Beam	2
C1	Jointer Bar	2
C2	Sidewall Track	2
D	Beam	2
D1	Jointer Bar	2
D2	Sidewall Track	2
E	Beam	2
E1	Jointer Bar	2
E2	Sidewall Track	2
F	Union Bar	4
G	Corner Cover	4
H	Joint Cover	4
H1	Joint Cover	4
H2	Silicone Rubber	1
J1	Corner Solidifying Bar	4
J2	Corner Solidifying Bar	4
K	Inside Roof Connector	1
K1	Outside Roof Connector	1
L	Base	4
M	Corner roof bar	4
N	roof bar	4

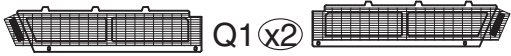


P (x2)

P1 (x2)



Q (x2)



Q1 (x2)

Q2 (x2)



R (x8)



S (x104)



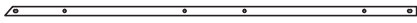
T1 (x2)



T2 (x2)



U0 (x4)



U (x4)



U3 (x4)



U4 (x4)



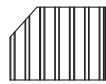
V1 (x2)



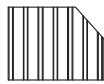
V2 (x2)



V3 (x2)



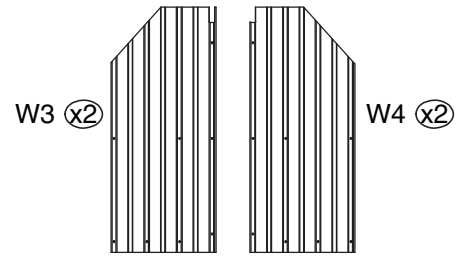
V4 (x2)



V5 (x2)

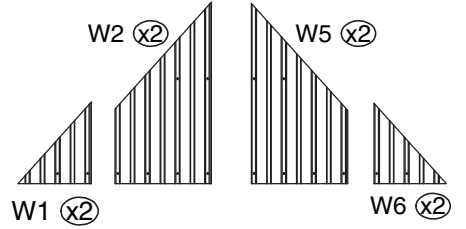


V6 (x2)



W3 (x2)

W4 (x2)

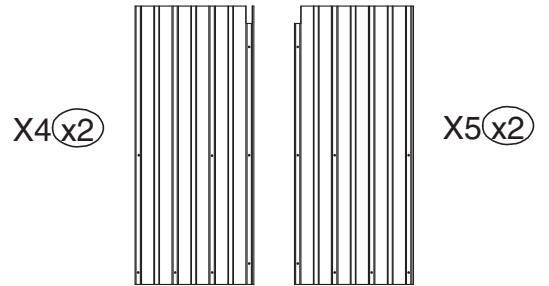


W2 (x2)

W5 (x2)

W1 (x2)

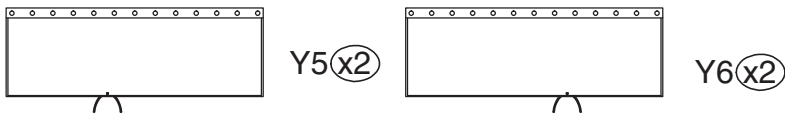
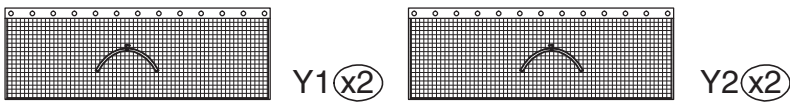
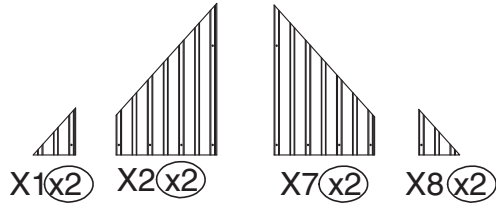
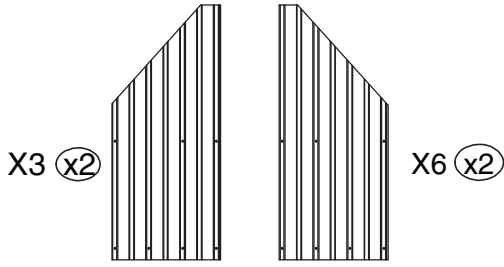
W6 (x2)



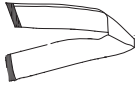
X4 (x2)

X5 (x2)

ITEM	DESCRIPTION	QTY
P	Finishing Bar	2
P1	Net Frame	2
Q	Finishing Bar	2
Q1	Net Frame	2
Q2	Net Frame	2
R	Finishing End	8
S	Spacer	96
T1	Finishing Bar	2
T2	Finishing Bar	2
U0	Solidifying Bar	2
U	Solidifying Bar	2
U3	Iron Angle	4
U4	Iron Angle	4
V1	Roof Panel	2
V2	Roof Panel	2
V3	Roof Panel	2
V4	Roof Panel	2
V5	Roof Panel	2
V6	Roof Panel	2
W3	Roof Panel	2
W4	Roof Panel	2
W1	Roof Panel	2
W2	Roof Panel	2
W5	Roof Panel	2
W6	Roof Panel	2
X4	Roof Panel	2
X5	Roof Panel	2



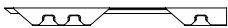
Yb(x4)



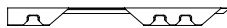
Z(x56)



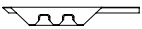
Z1(x4)



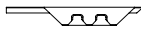
Z2(x4)



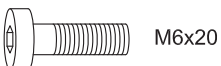
Z3(x4)



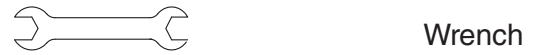
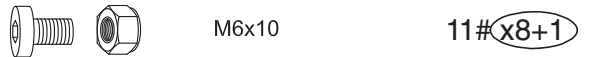
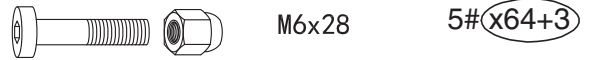
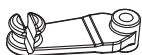
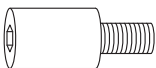
Z4(x4)



1#(x218+4)

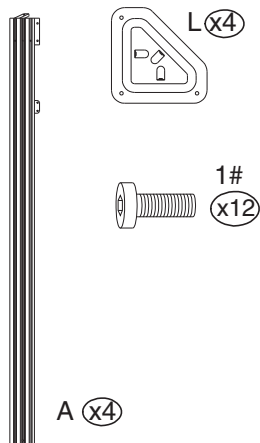


2#(x16+2)



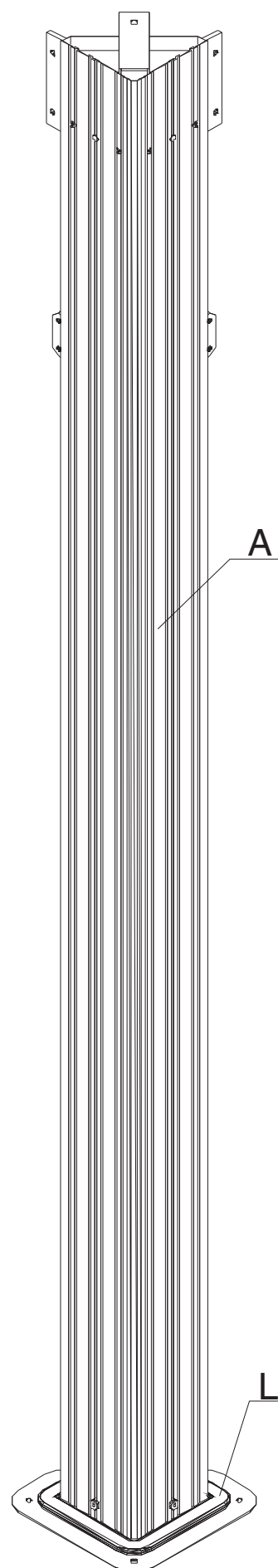
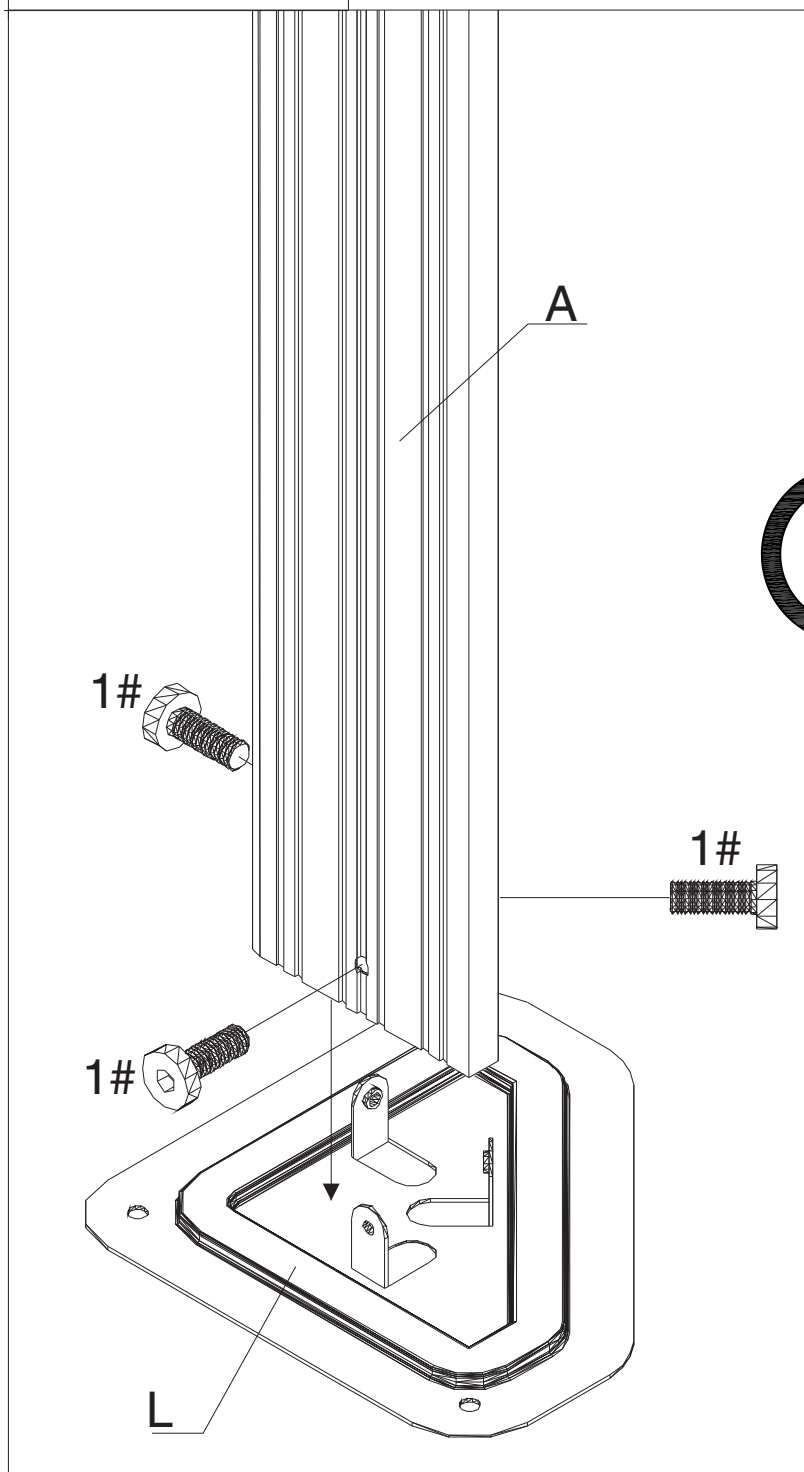
ITEM	DESCRIPTION	QTY
X1	Roof Panel	2
X2	Roof Panel	2
X7	Roof Panel	2
X8	Roof Panel	2
X3	Roof Panel	2
X6	Roof Panel	2
Y1 & Y2	Mosquito Sidewall	4
Y5 & Y6	Solid Sidewall	4
Yb	Strap	4
Z	Metal Bracket	56
Z1	Metal Bracket	4
Z2	Metal Bracket	4
Z3	Metal Bracket	4
Z4	Metal Bracket	4
1#	Screws	218+4
2#	Screws	16+2
3#	Screws	16+2
4#	Hook	104
5#	Screws	64+3
6#	Screws	8+1
7#	Screws	28+2
9#	Screws	24+2
10#	Screws	4+1
11#	Screws	8+1
	Allen key/ Wrench	3

Parts Required:

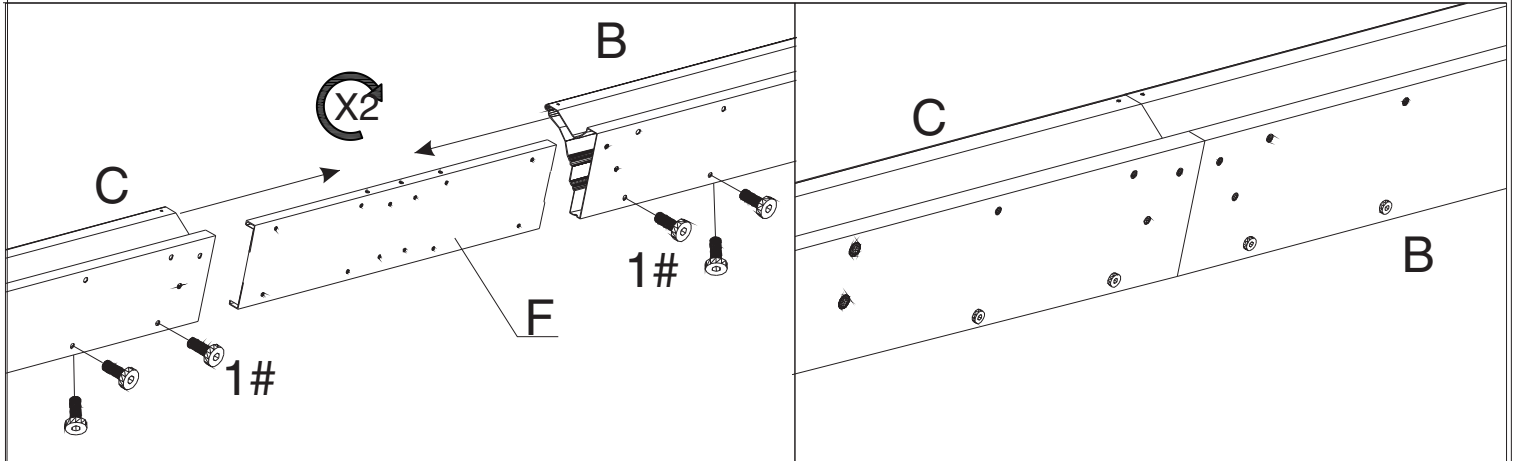
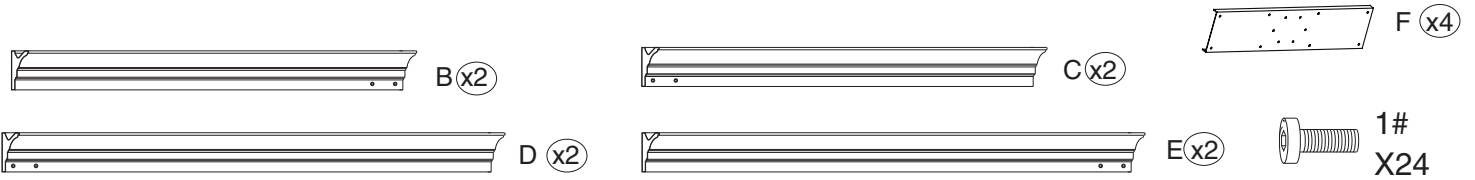


Step 1:

Set up poles (Part A) with stand plates (Part L) using screws 1# as shown in diagram.

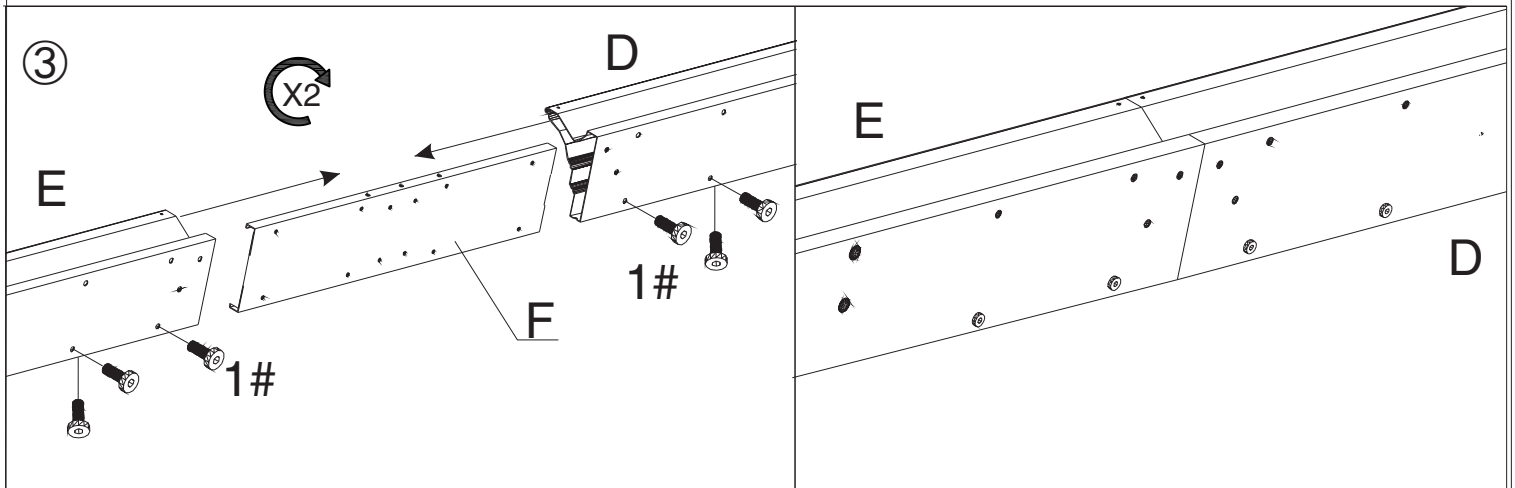


## Parts Required:



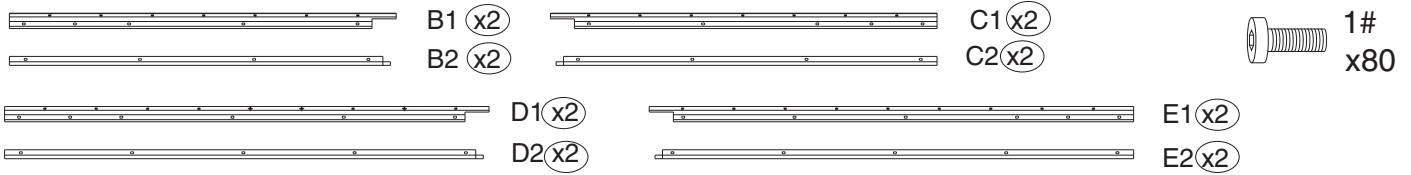
## Step 2:

Connect (Part C) and (Part B) into one beam using union bar (Part F) with screws 1#.

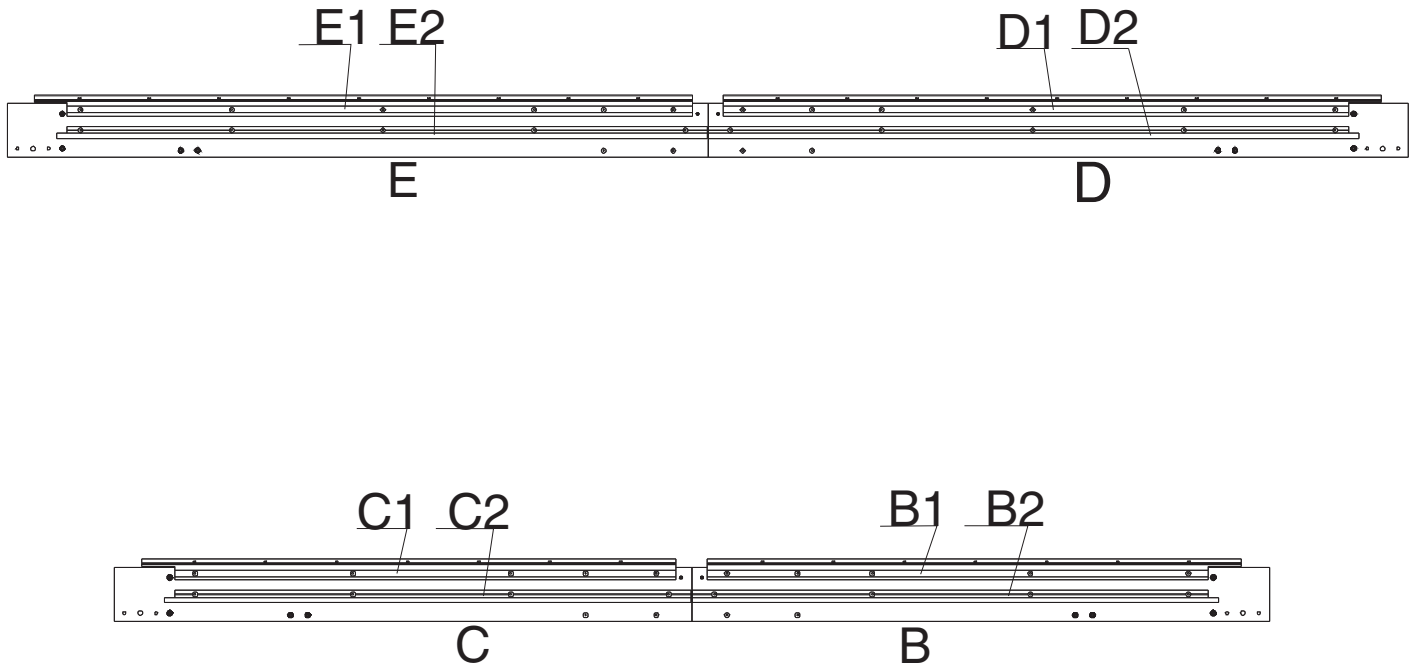


Connect Part E and Part D into one beam using union bar (Part F) with screws 1# as shown in diagram.

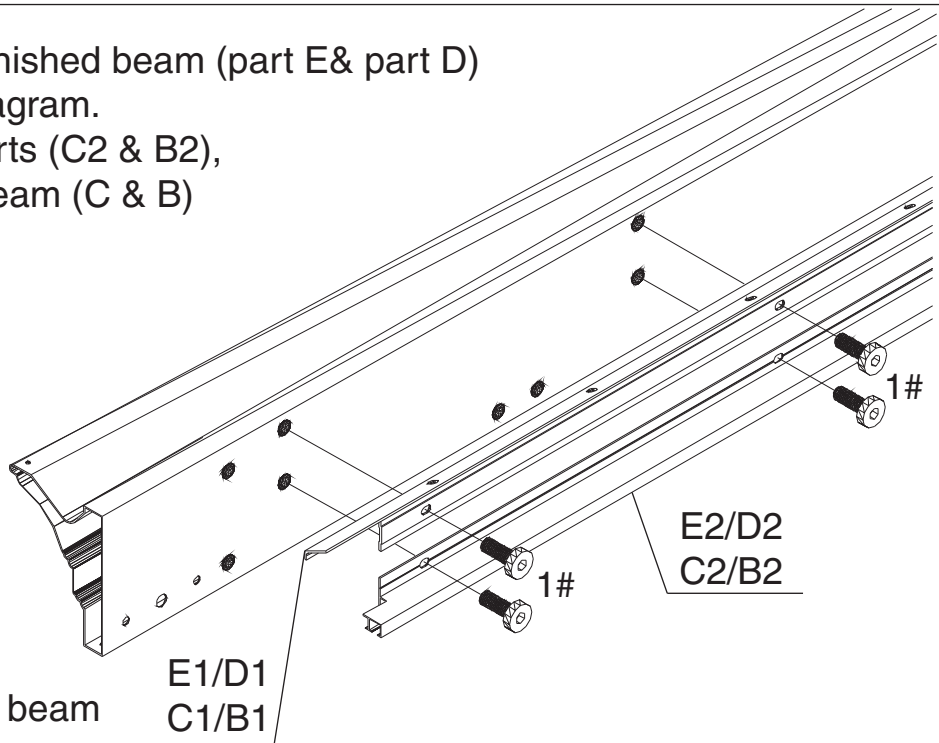
# Parts Required:



## Step 3:



Connect parts (E2&D2) to the finished beam (part E& part D) using screws 1# as shown in diagram.  
 Replicate the same steps for parts (C2 & B2), attaching them to the finished beam (C & B) using screws 1#.

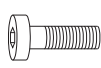


Attach parts (E1& D1) to finished beam (E & D) using screws 1#.

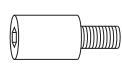
Attach parts (C1 & B1) to finished beam (C & B) using screws 1#.



# Parts Required:



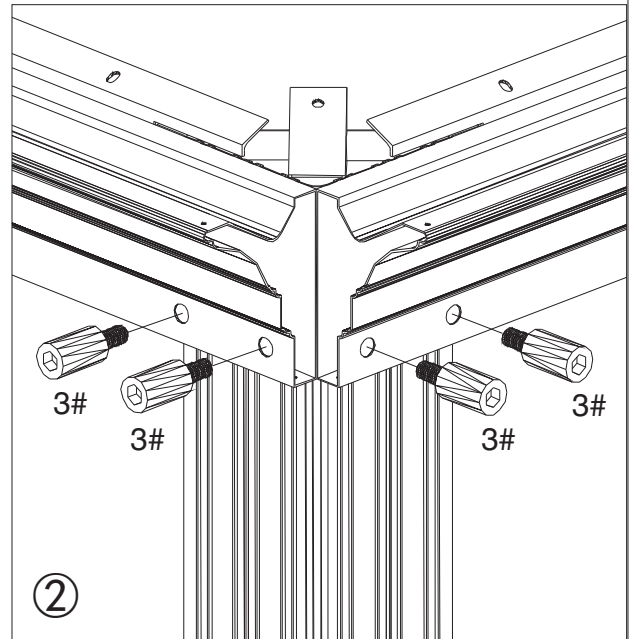
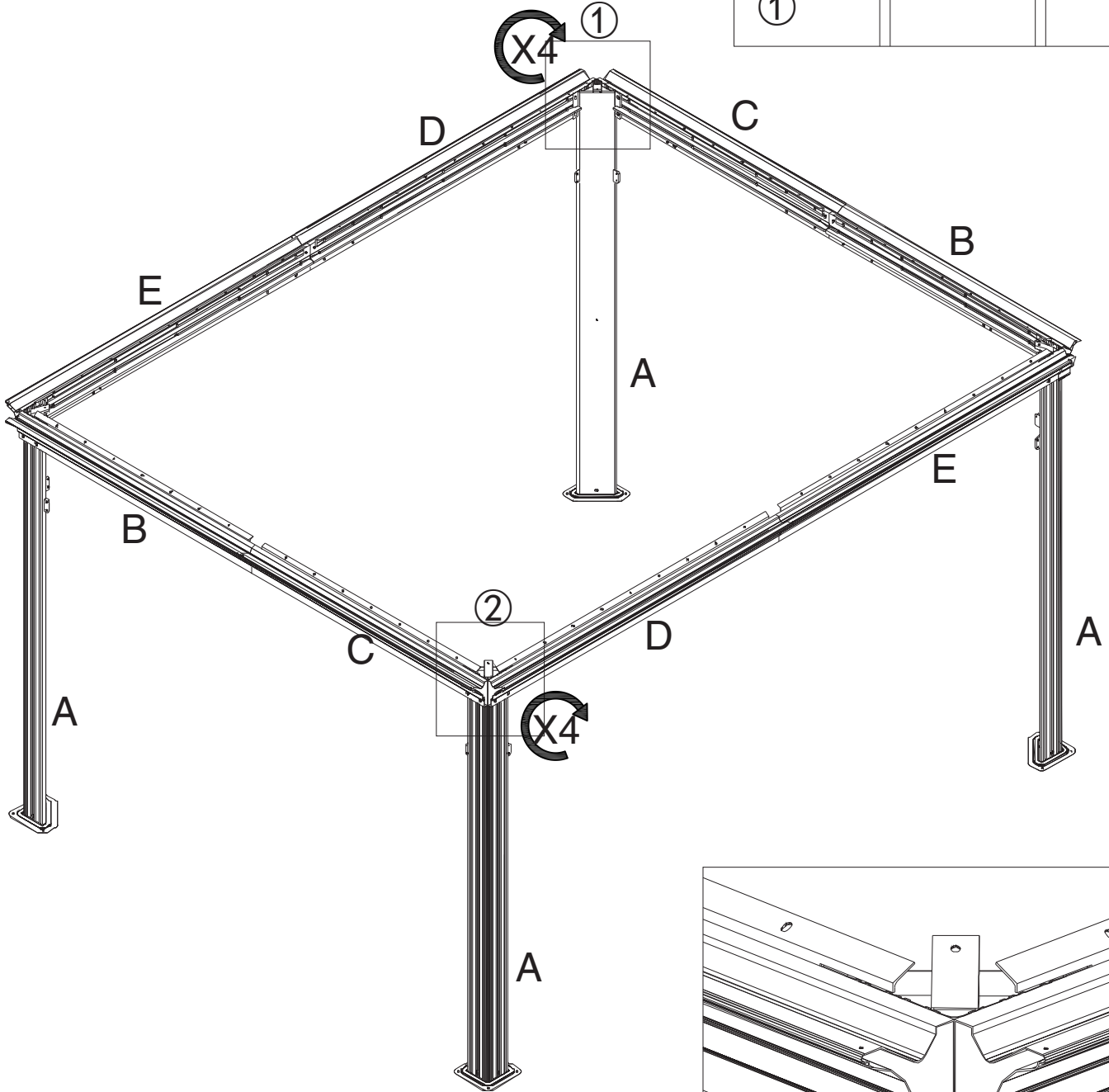
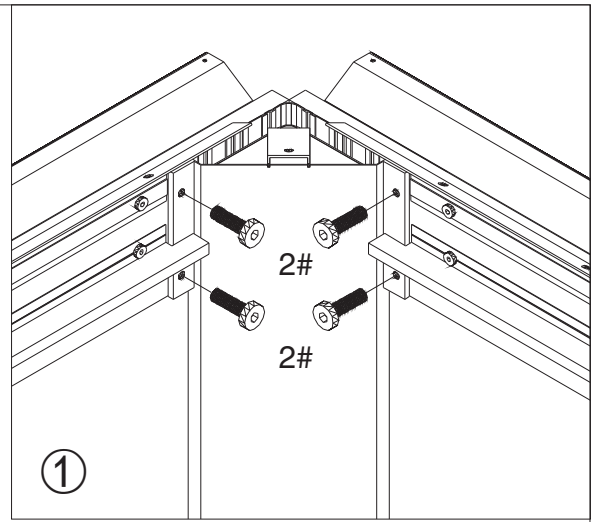
2#  
x16



3#  
x16

## Step 4:

Use screws (2# & 3#) to connect poles and beams together as shown in diagram.



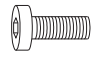
# Parts Required:



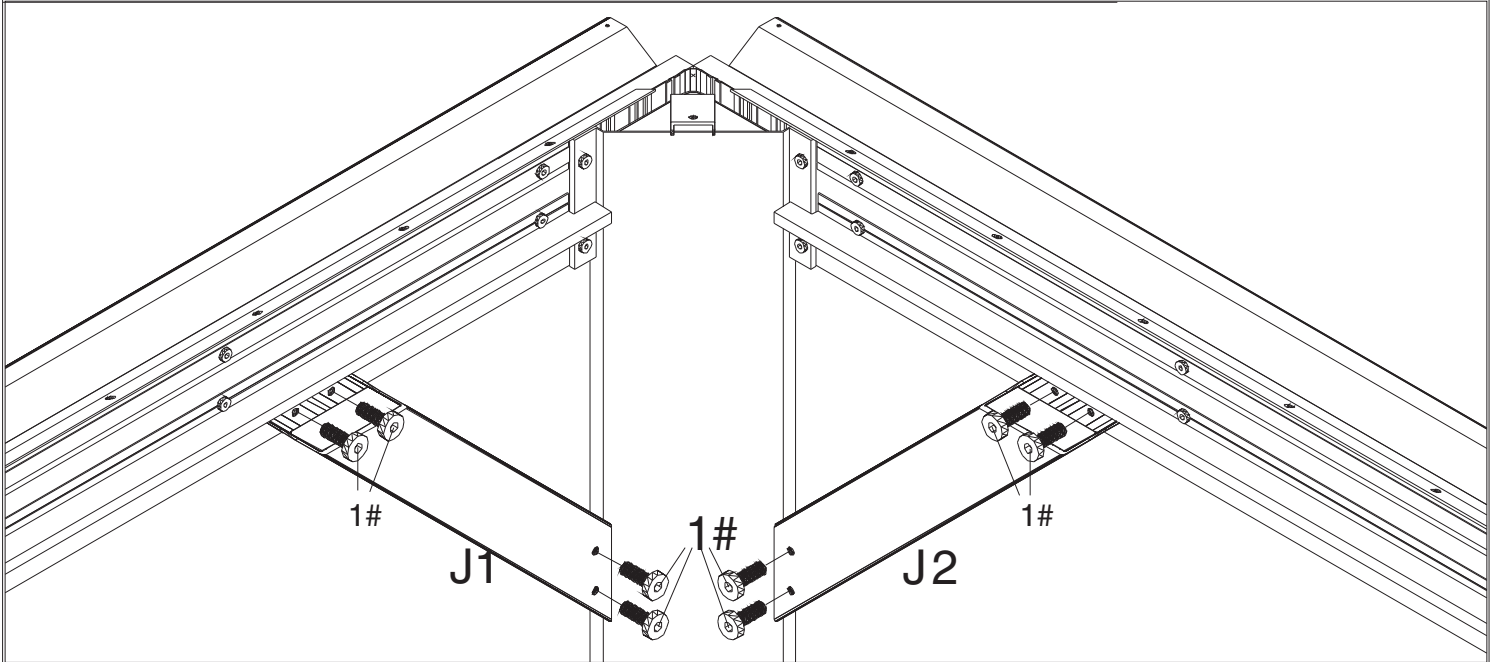
J1 (x4)



J2 (x4)

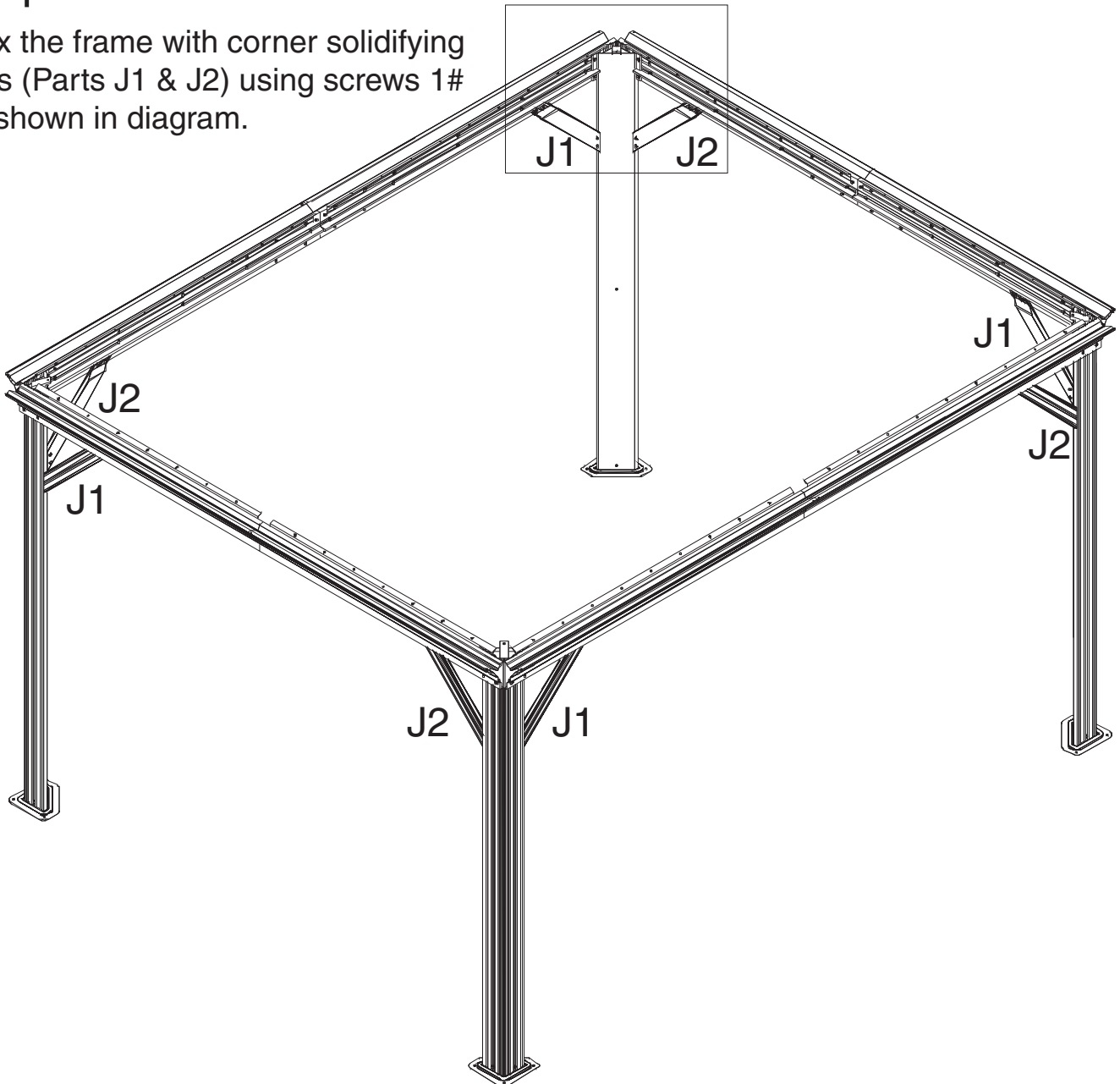


1#  
x32

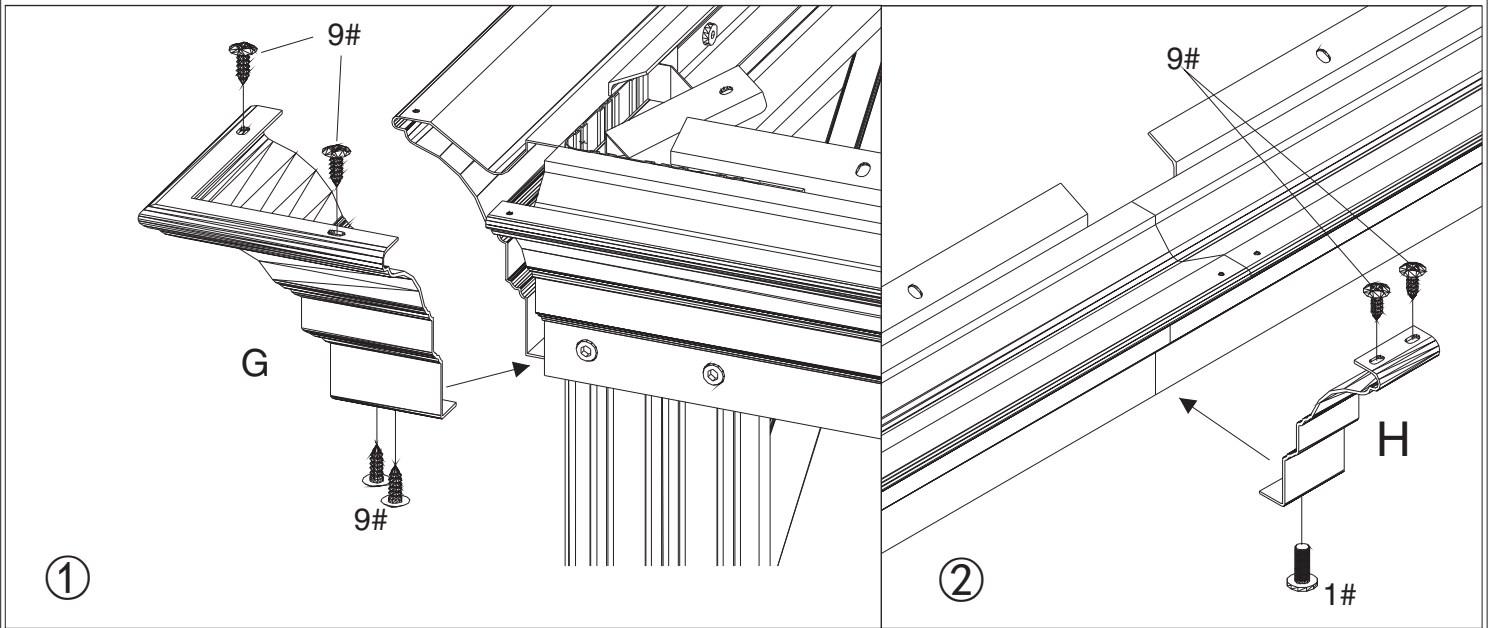
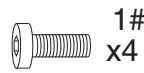


## Step 5:

Affix the frame with corner solidifying bars (Parts J1 & J2) using screws 1# as shown in diagram.



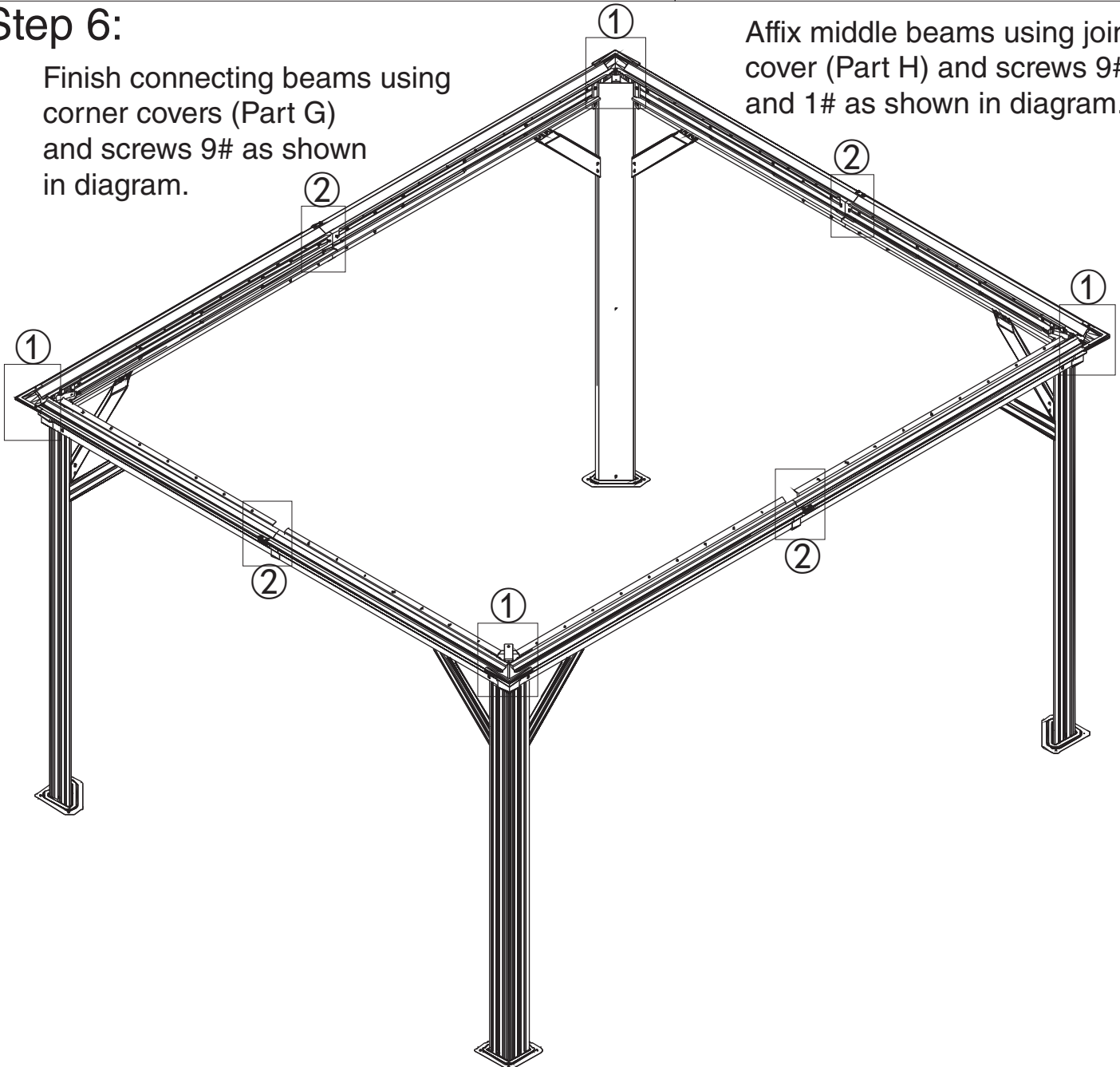
# Parts Required:

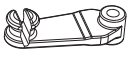


## Step 6:

Finish connecting beams using corner covers (Part G) and screws 9# as shown in diagram.

Affix middle beams using joint cover (Part H) and screws 9# and 1# as shown in diagram.

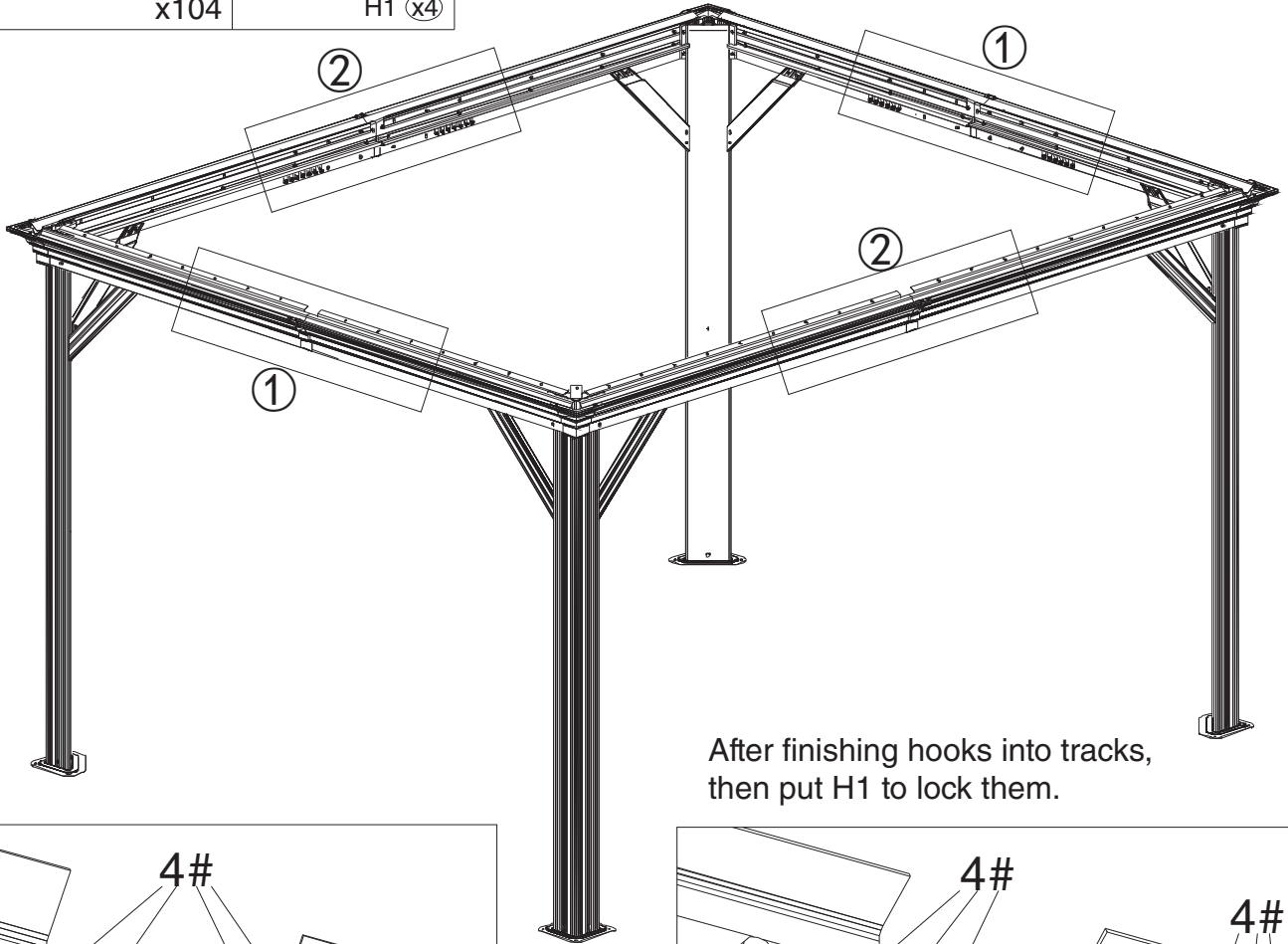




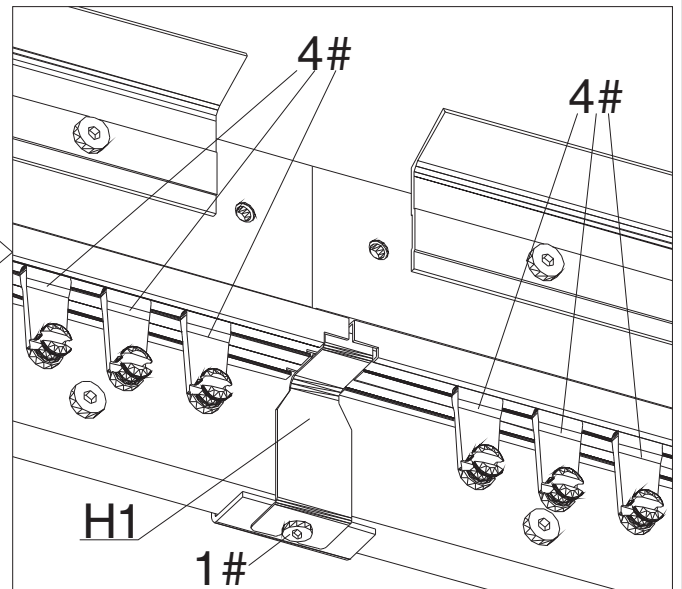
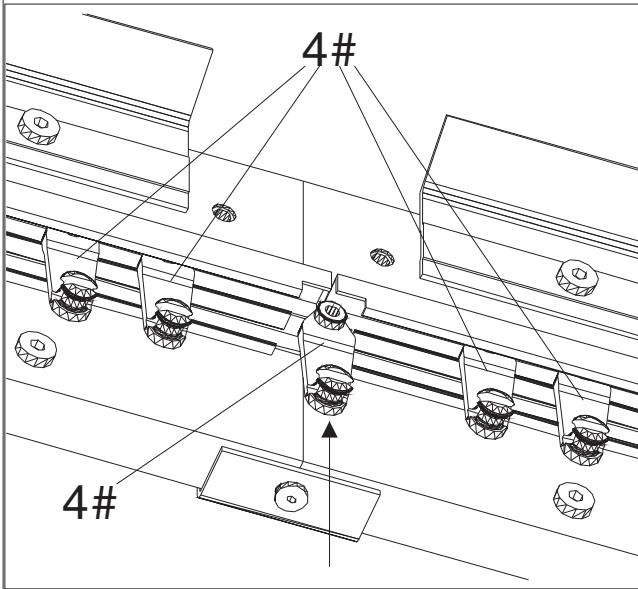
4#  
x104



H1 (x4)

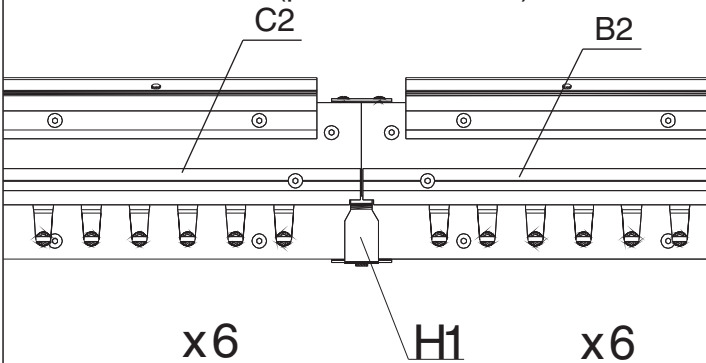


After finishing hooks into tracks,  
then put H1 to lock them.

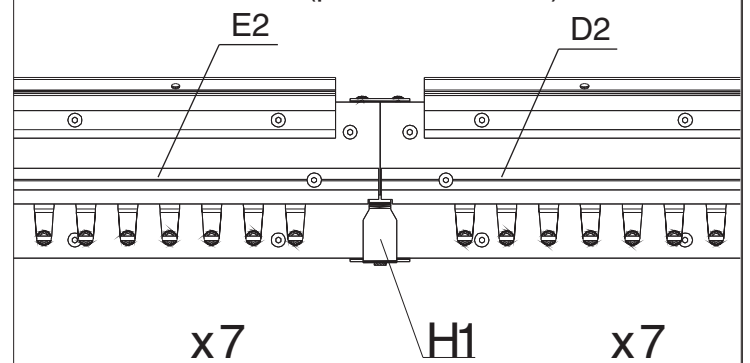


### Step 7:

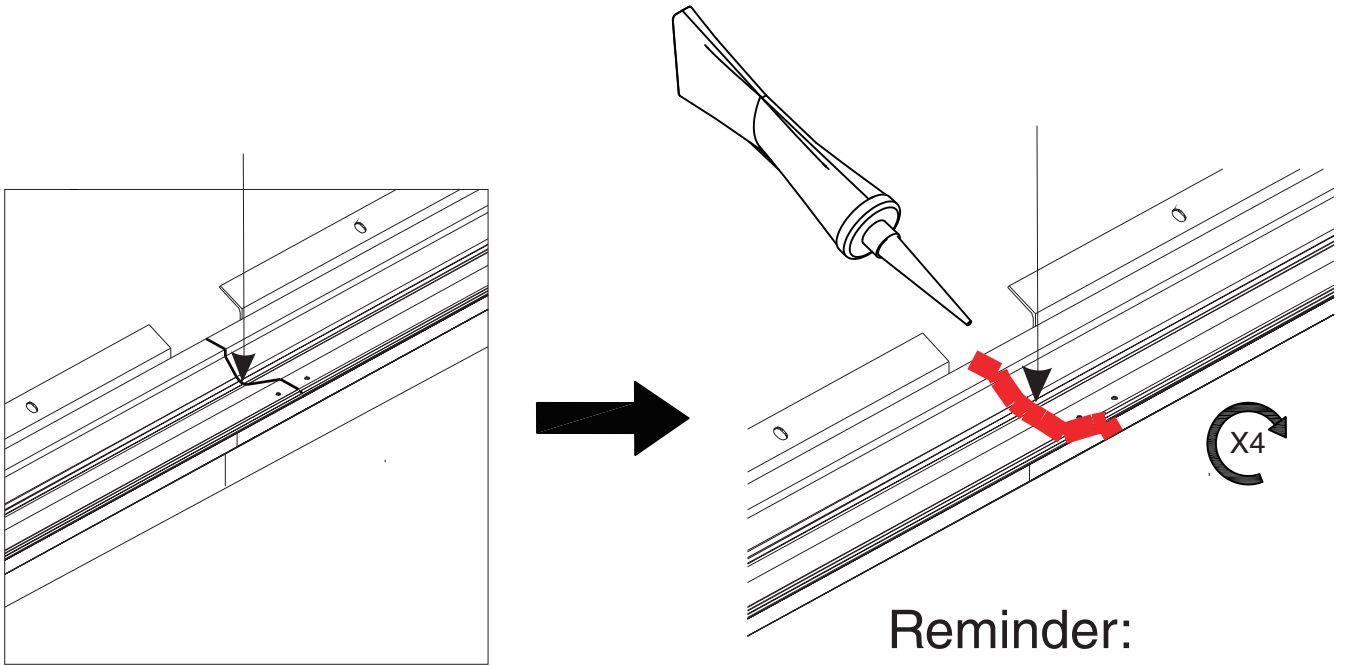
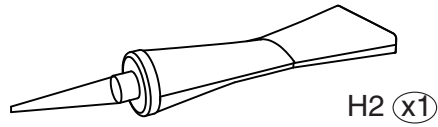
- ① Put 6 hooks to each slot of  
sidewall track (part C2&Part B2)



- ② Put 7 hooks to each slot of  
sidewall track (part E2&Part D2)

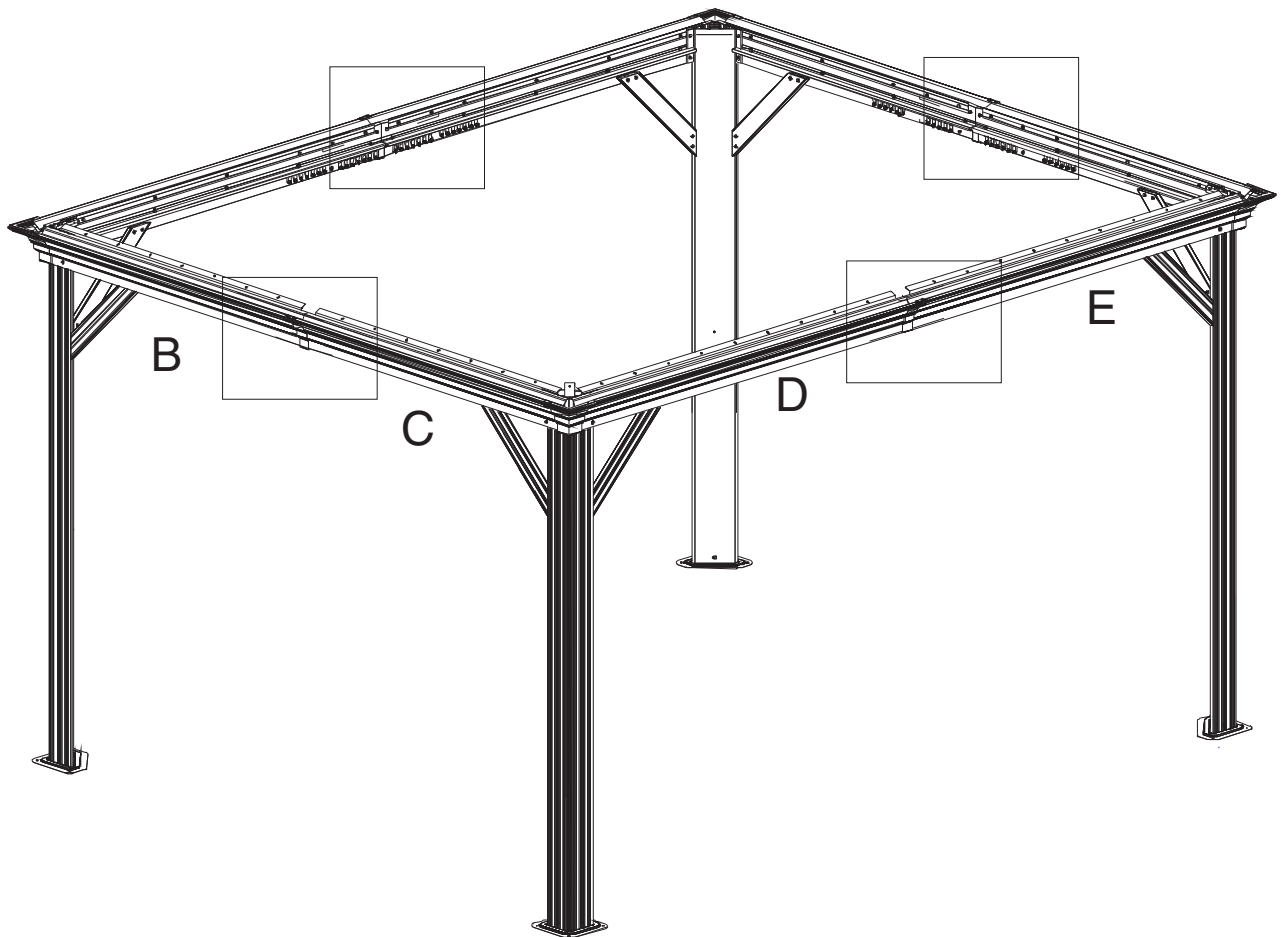


## Parts Required:

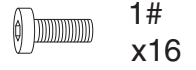
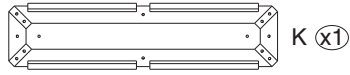


## Reminder:

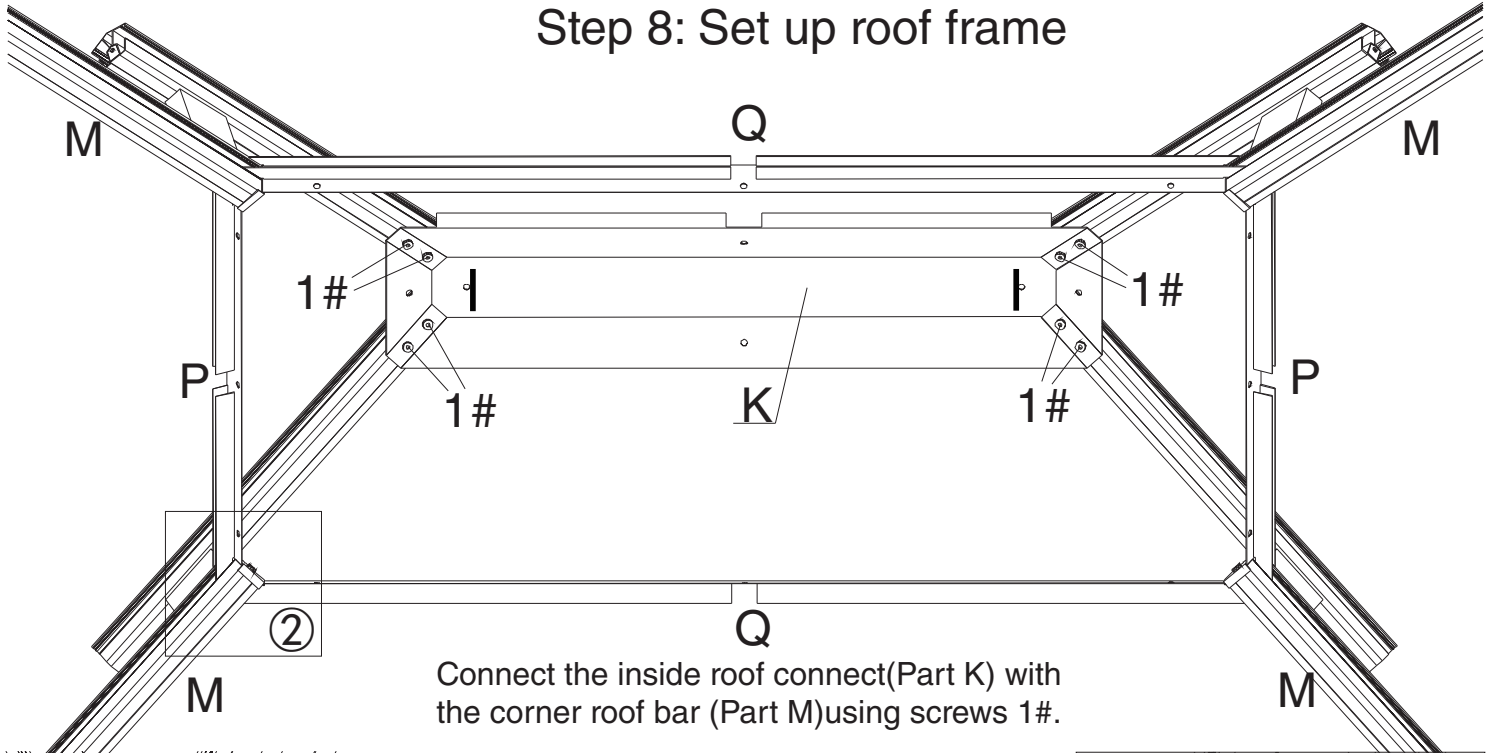
with silicone rubber to seal after finishing the assembly it will be better for no water leaking in heavy rain.



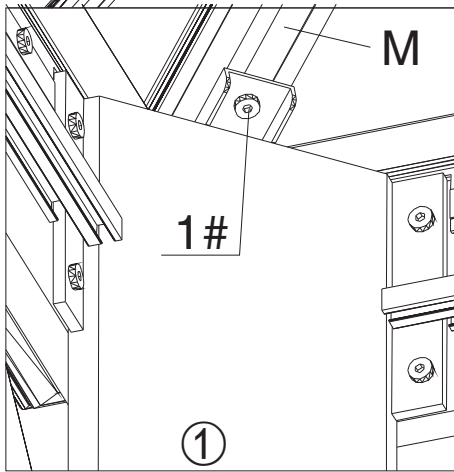
# Parts Required:



## Step 8: Set up roof frame

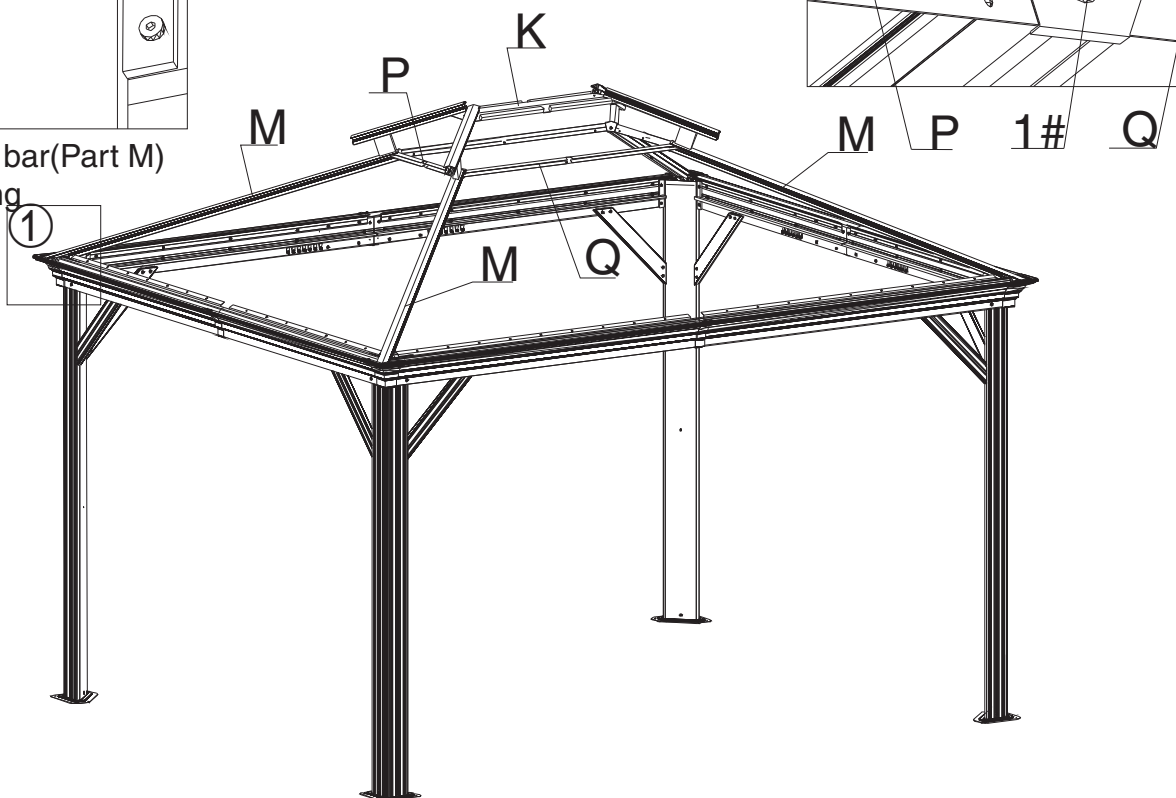
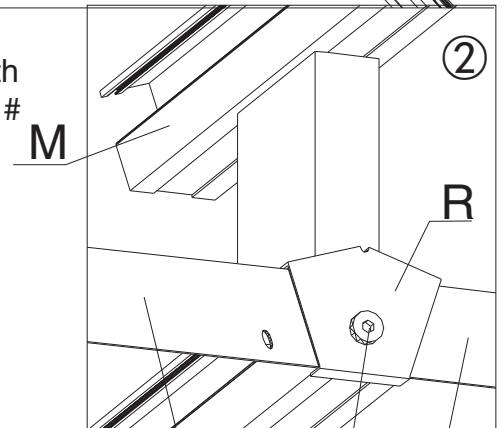


Connect the inside roof connect(Part K) with the corner roof bar (Part M) using screws 1#.

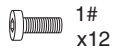
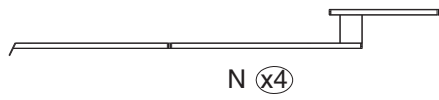


Attach corner roof bar(Part M) to main frame using screw 1# as shown in diagram

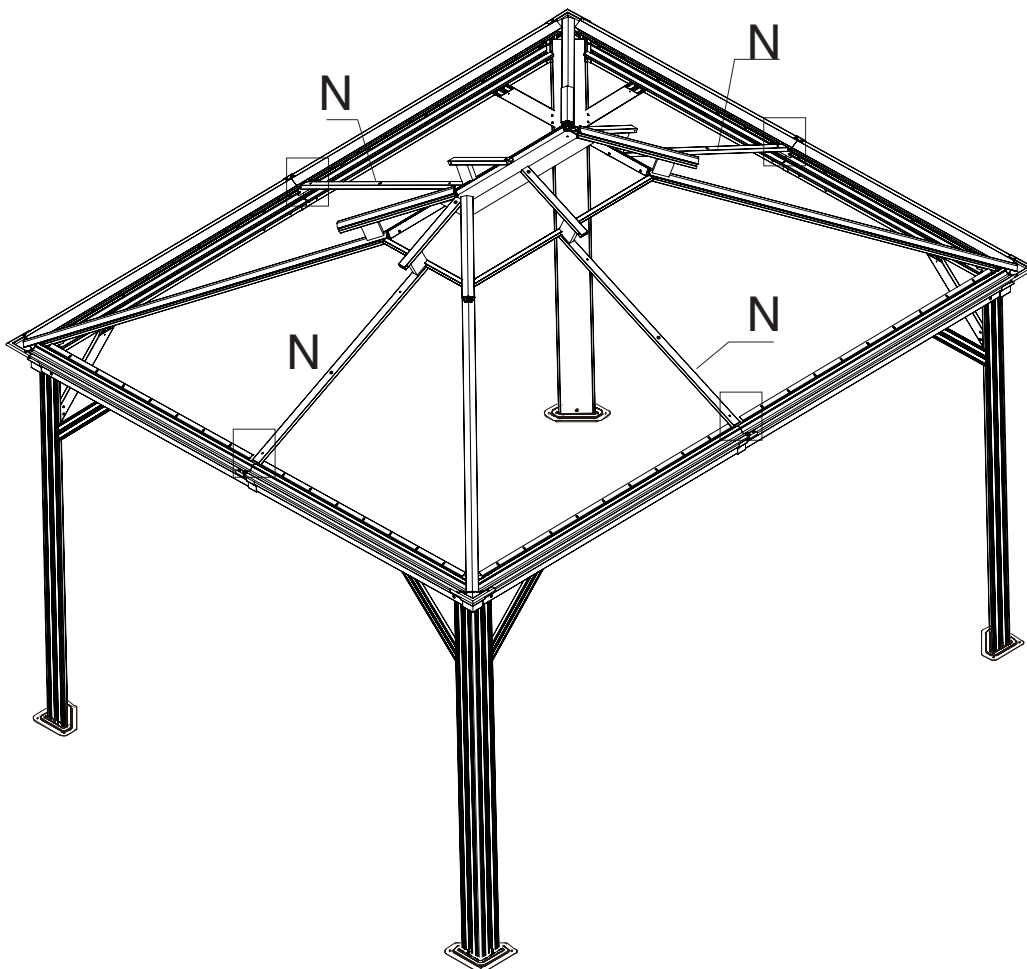
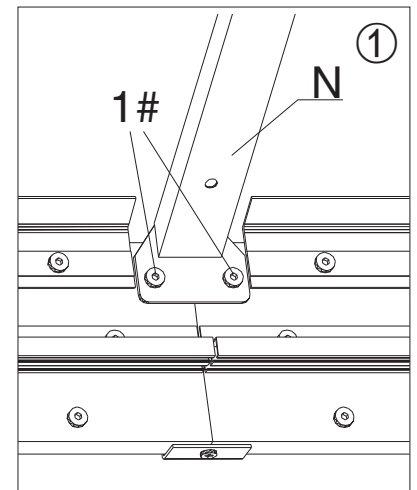
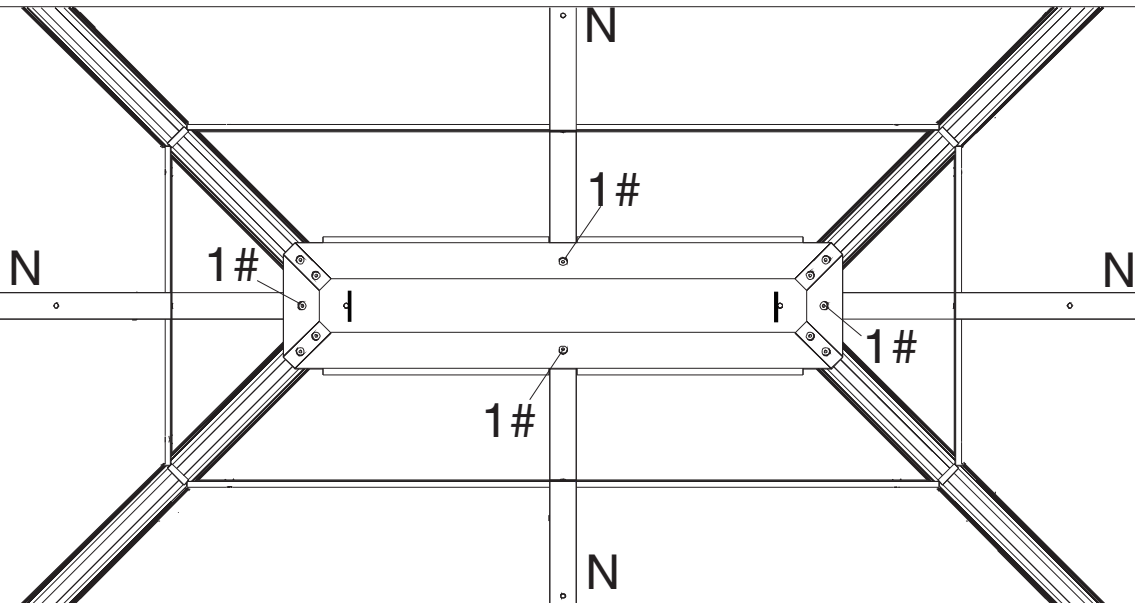
Attach finishing bar (Part P&Q) with finish end (Part R) using screws 1# to corner roof bar (Part M) as shown in diagram.



# Parts Required:

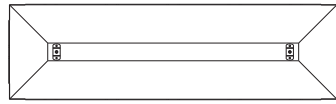


## Step 9:



Attach roof bar (Part N) to main frame using screw 1# as shown in diagram.

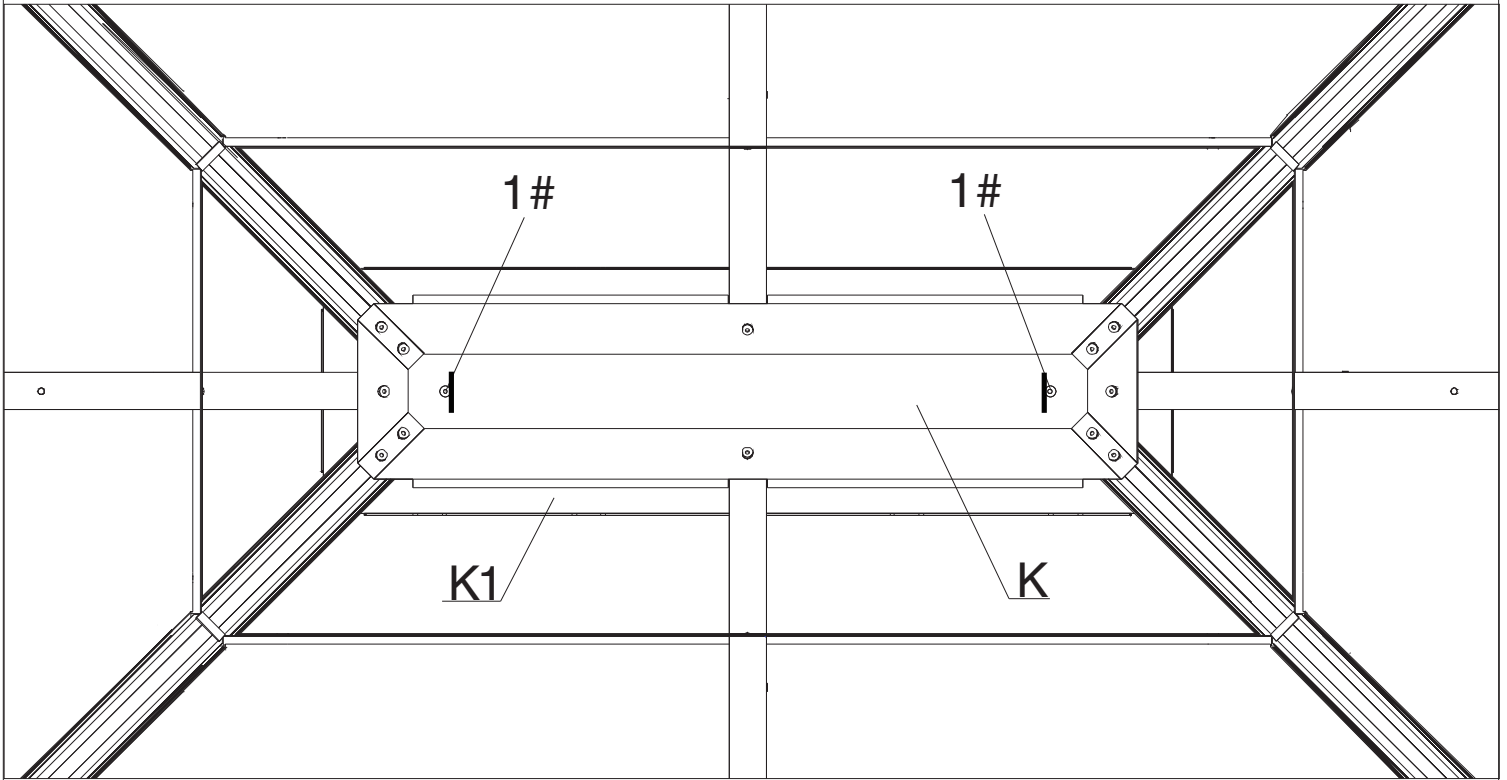
Parts Required:



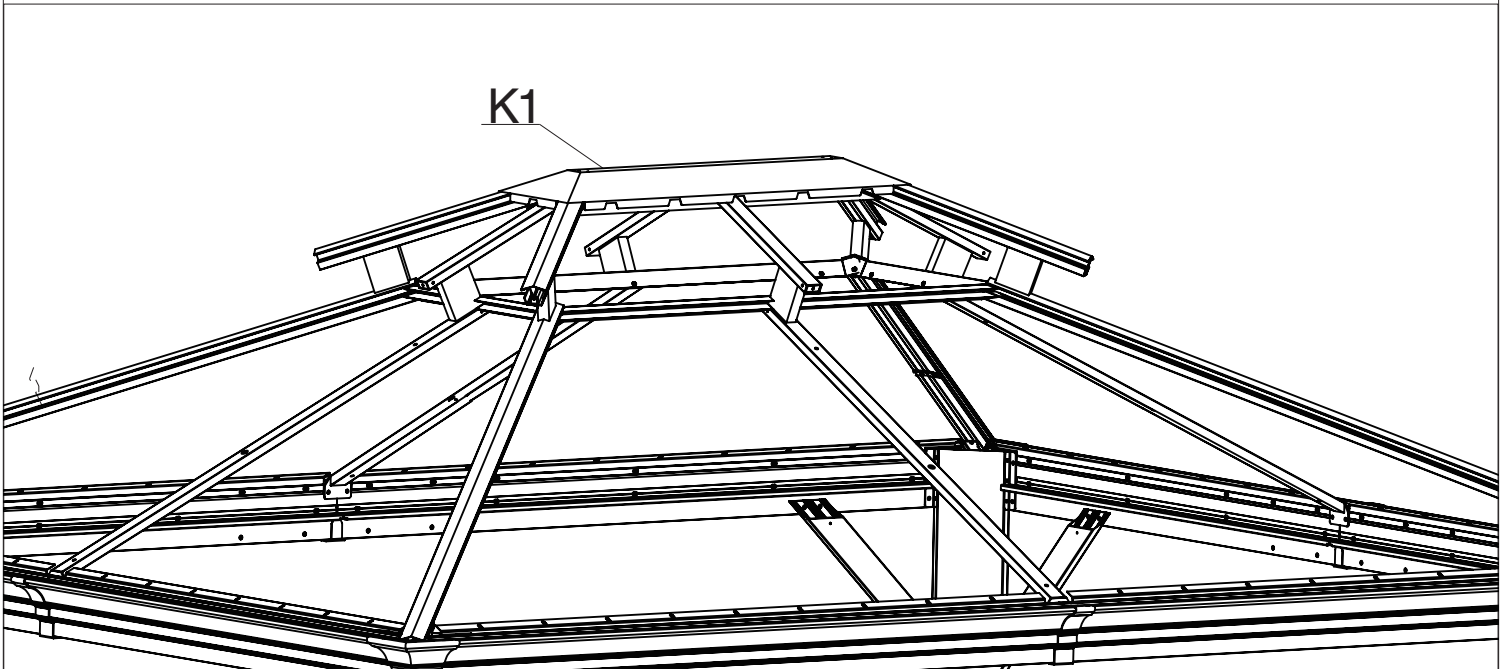
K1 (x1)



1#  
x2

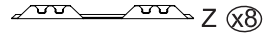
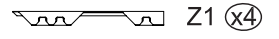
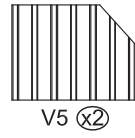
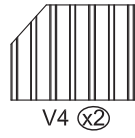
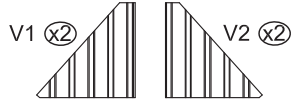


**Step 10:** Connect outside roof connector (Part K1) to inside roof (Part K) using screw 1# as shown in diagram.

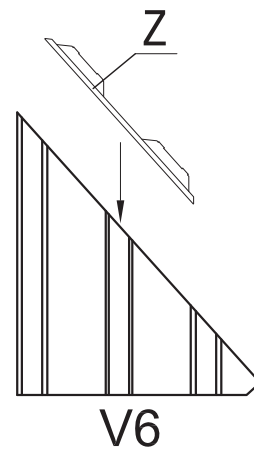
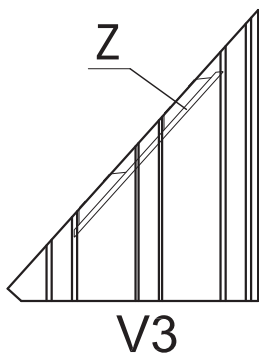
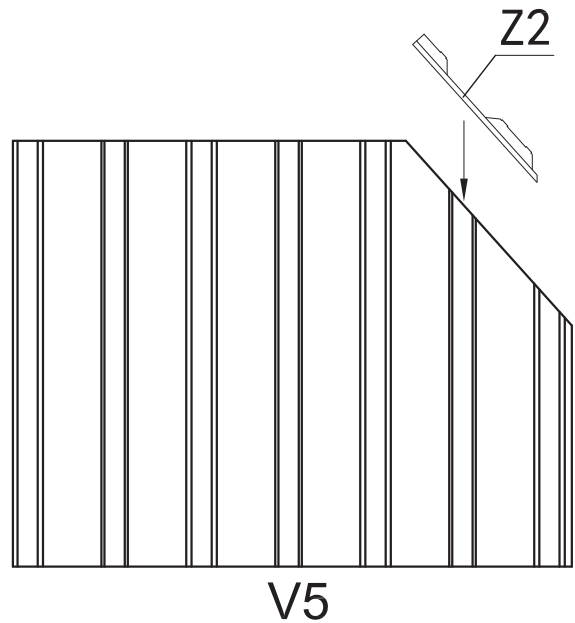
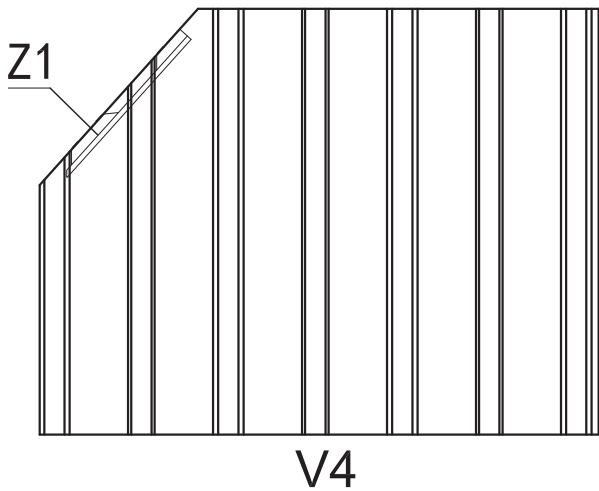
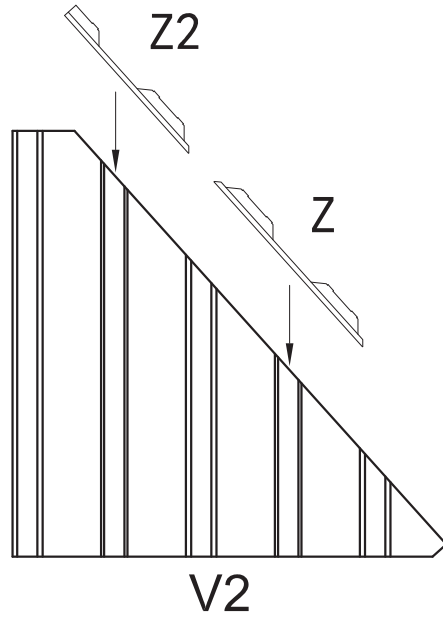
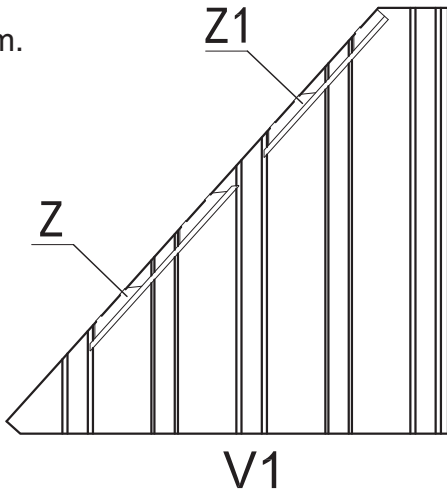




# Parts Required:



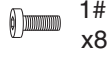
**Step 11:** Cover metal bracket  
(Part Z,Z1,Z2) to roof panels  
as shown  
in diagram.



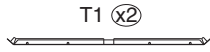
# Parts Required:



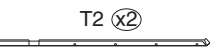
R (x4)



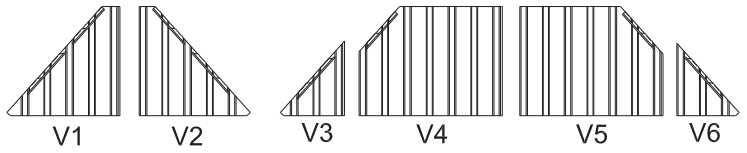
1#  
x8



T1 (x2)



T2 (x2)



V1

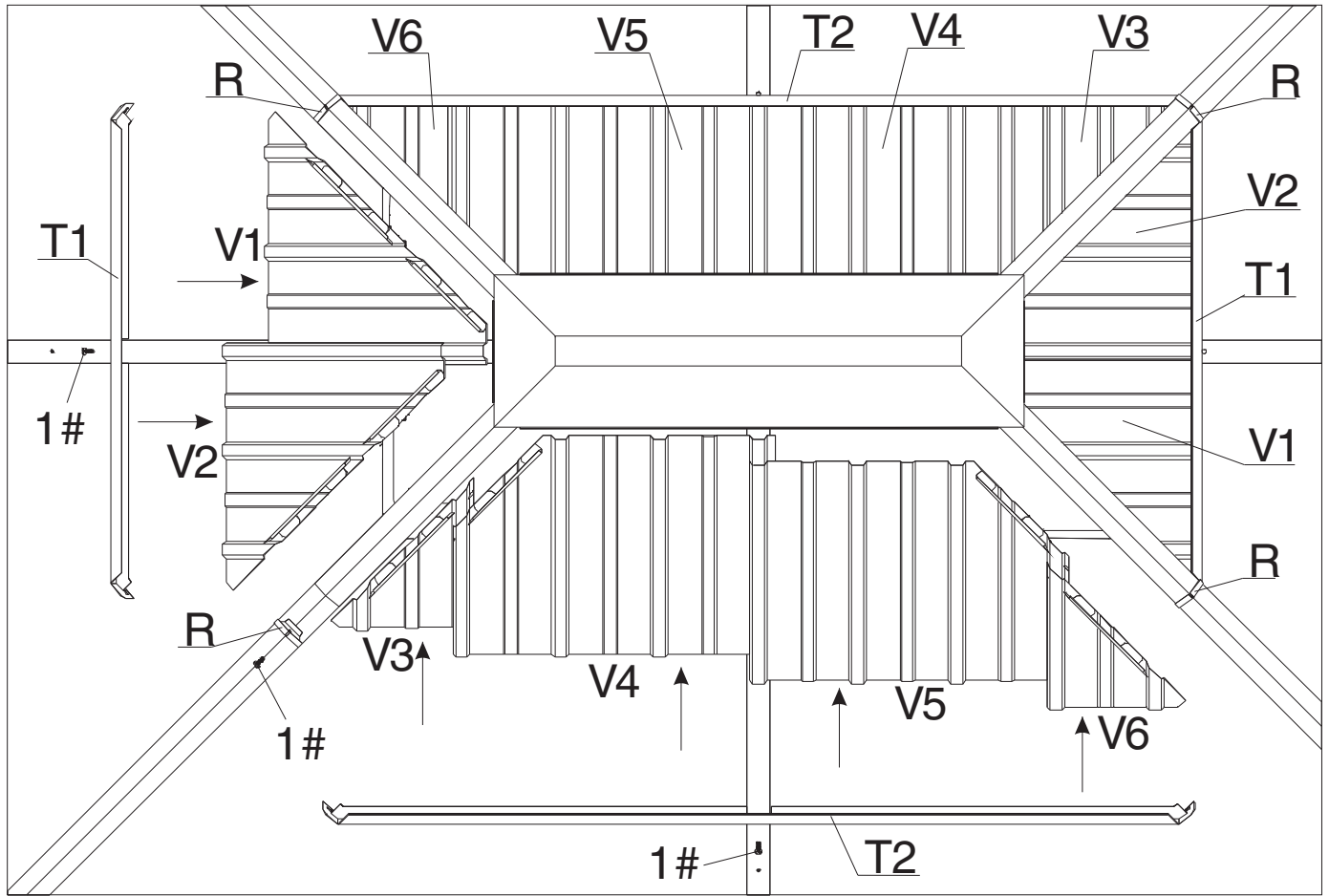
V2

V3

V4

V5

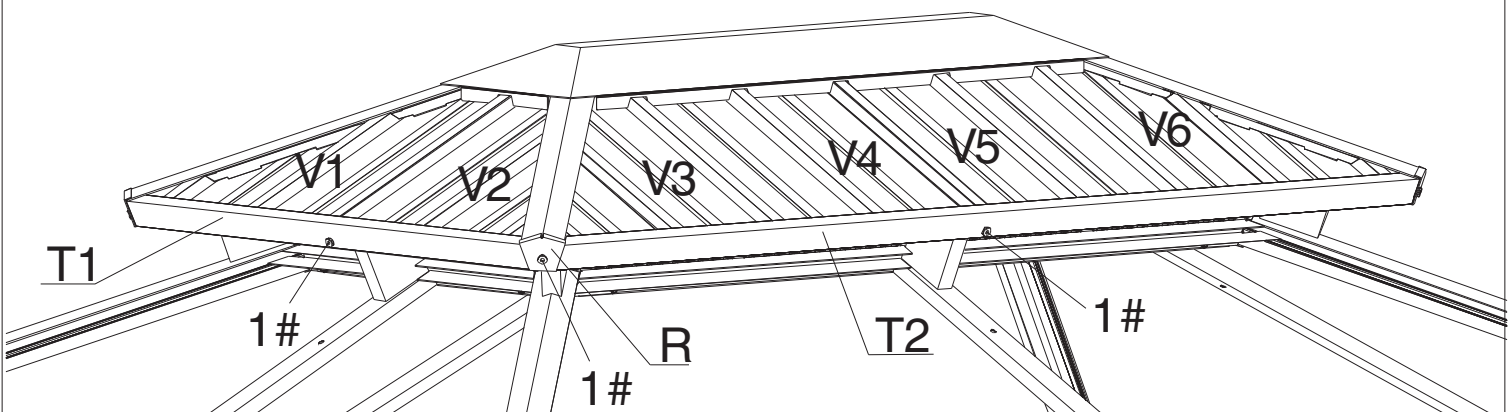
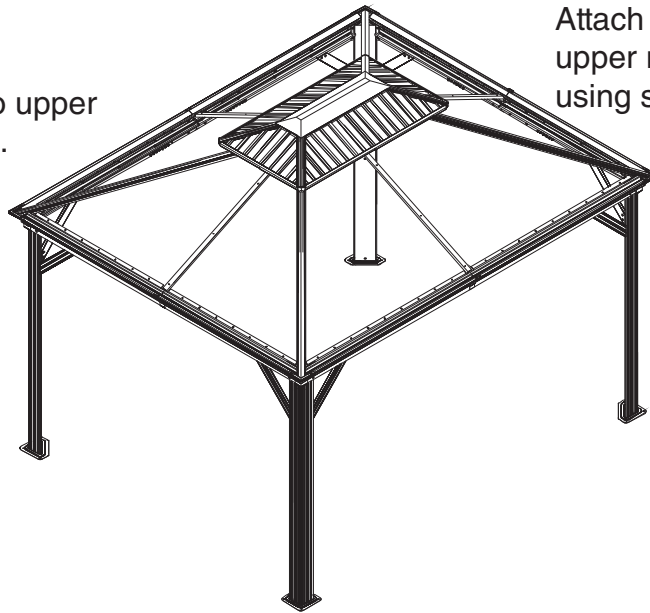
V6



## Step 12:

Push the roof panels (Part v1,v2,v3,v4,v5,v6) to upper roof as shown in diagram.

Attach finishing bars (Part T1&T2) to upper roof with finish end (Part R) using screws 1# as shown in diagram.



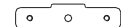
# Parts Required:



U0 (x4)



U3 (x4)



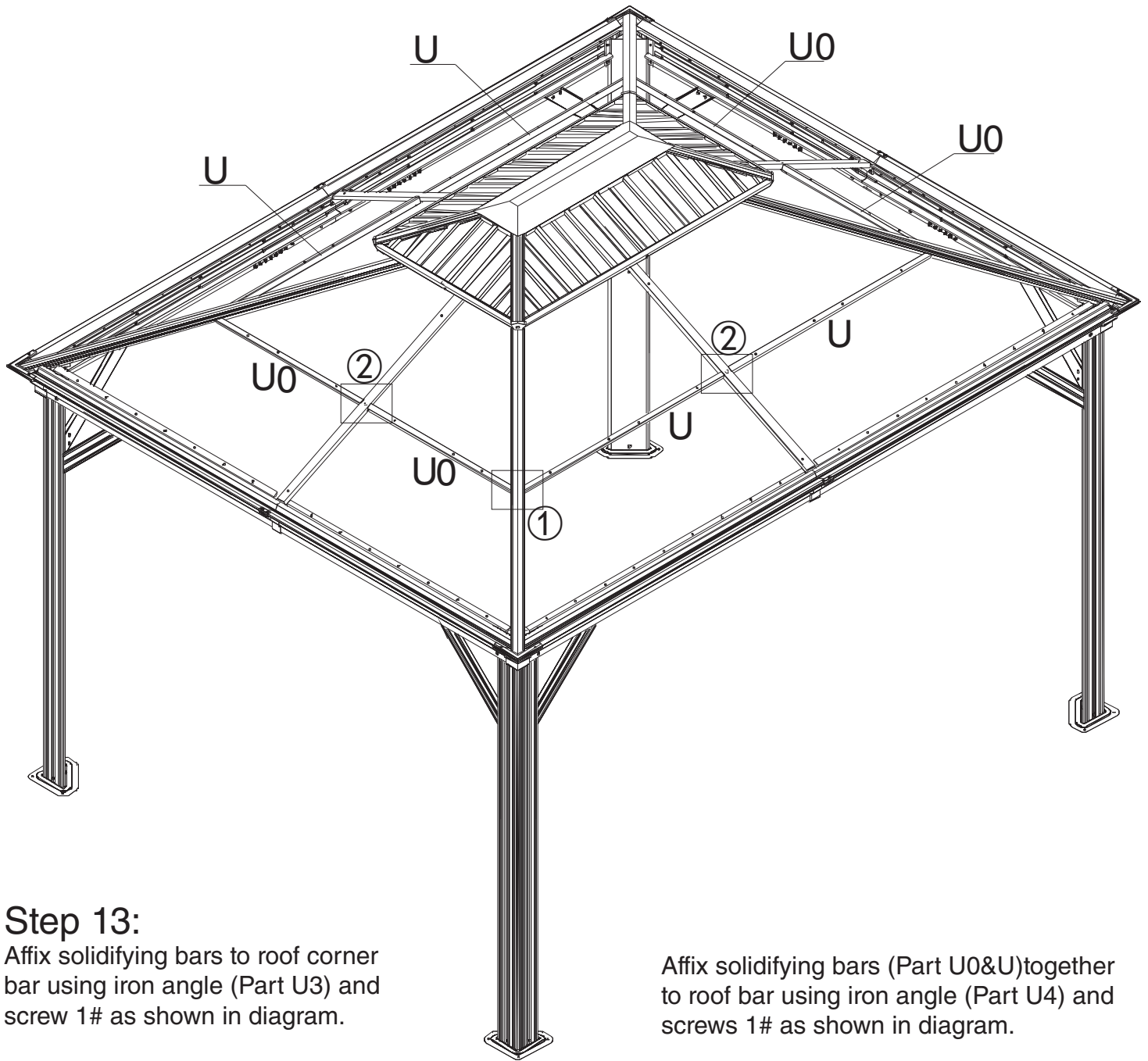
U4 (x4)



1#  
x24



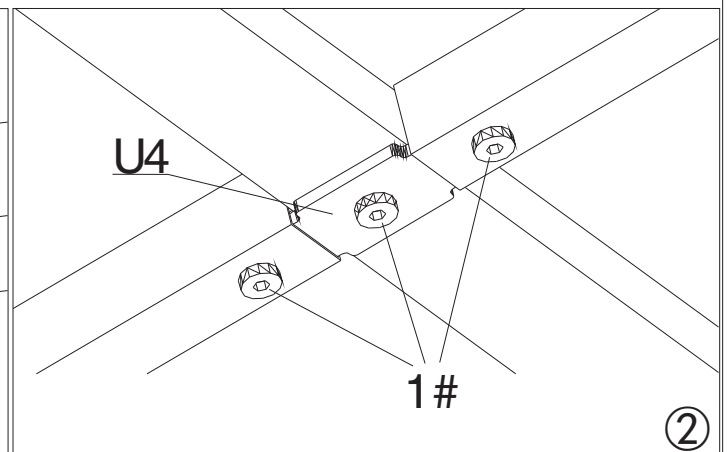
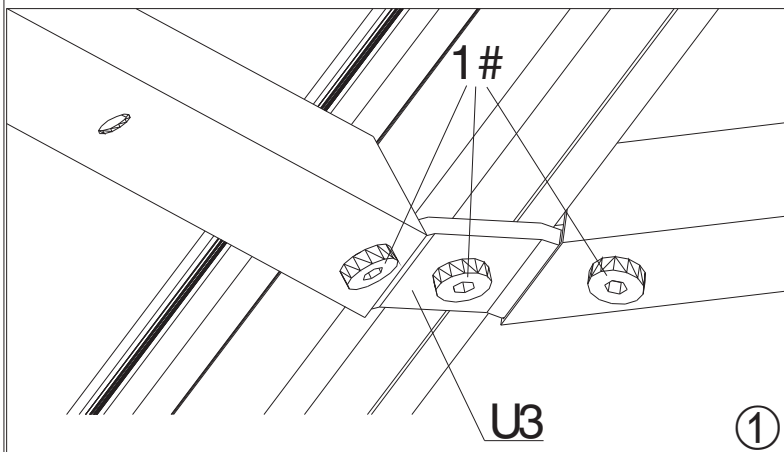
U (x4)



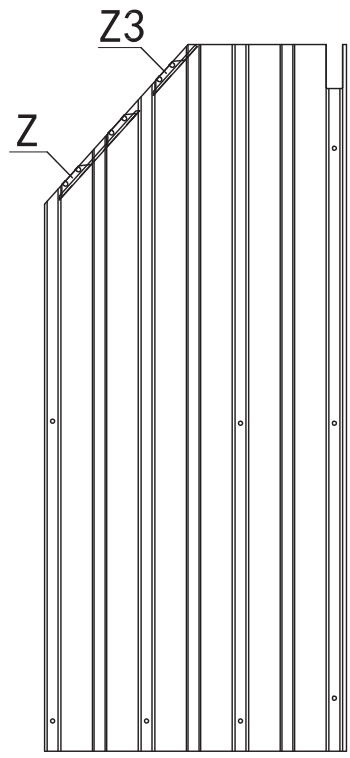
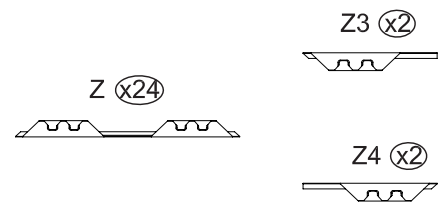
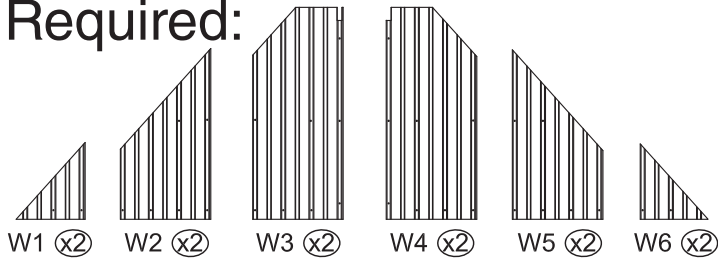
## Step 13:

Affix solidifying bars to roof corner bar using iron angle (Part U3) and screw 1# as shown in diagram.

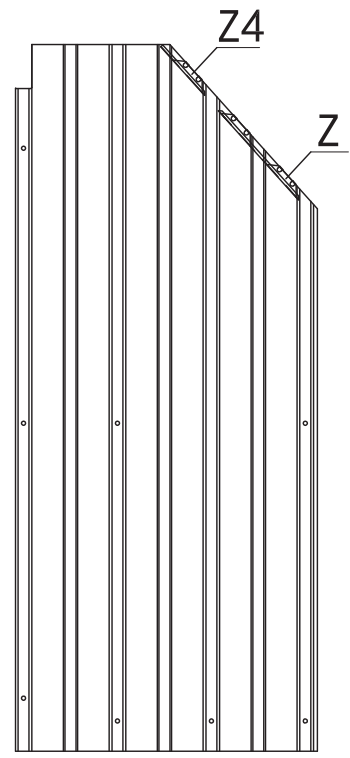
Affix solidifying bars (Part U0&U) together to roof bar using iron angle (Part U4) and screws 1# as shown in diagram.



# Parts Required:



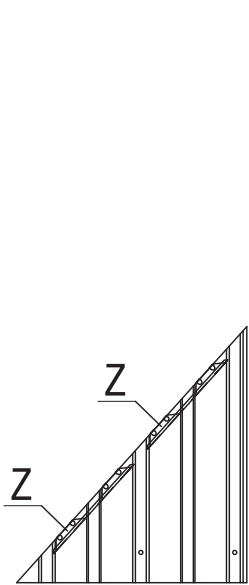
W3



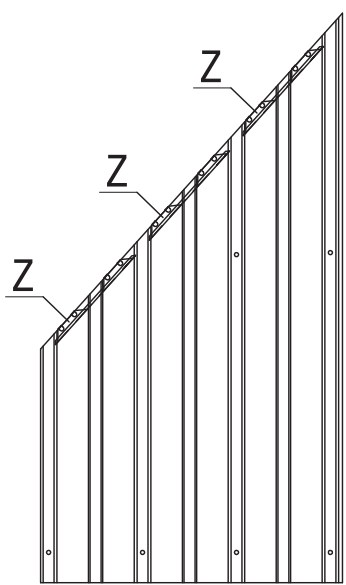
W4

## Step 14:

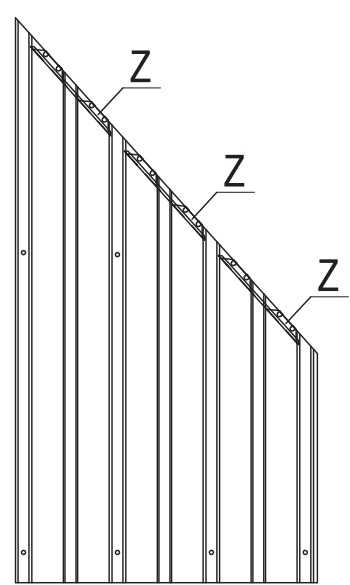
Cover metal bracket (Part Z,Z3,Z4) to roof panels as shown in diagram.



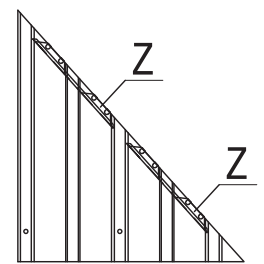
W1



W2

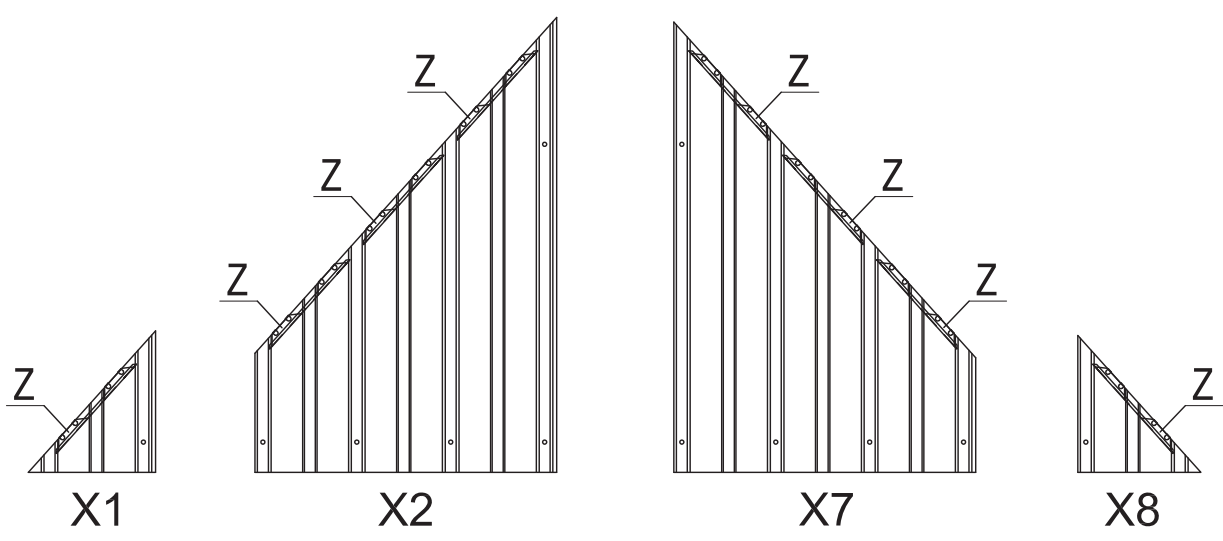
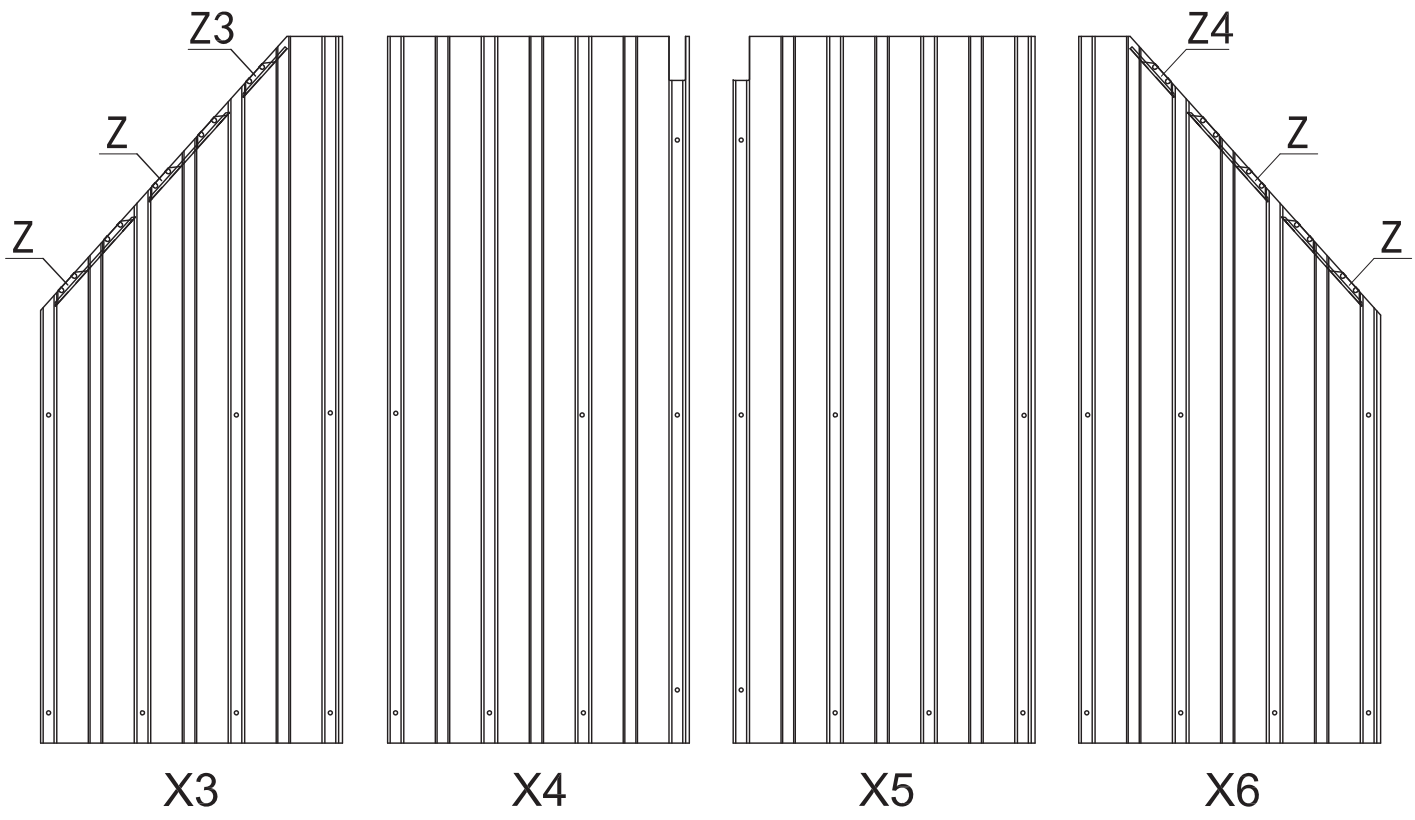
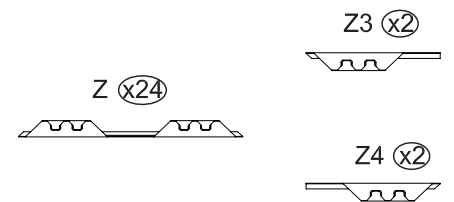
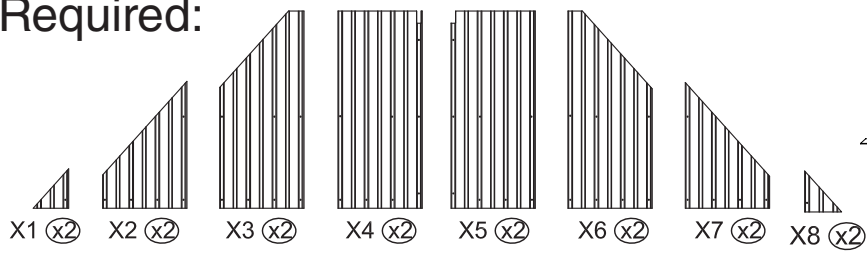


W5



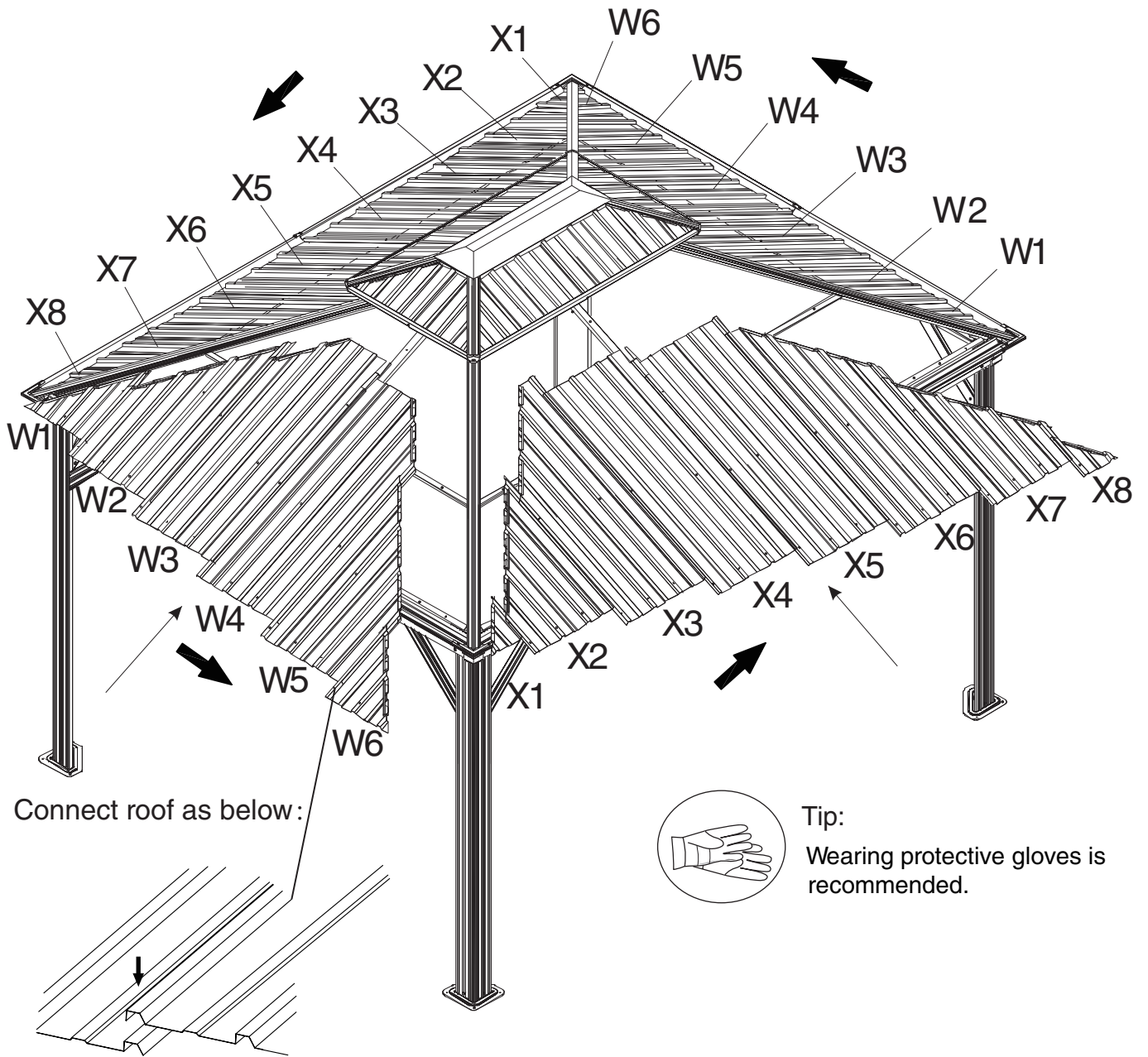
W6

# Parts Required:



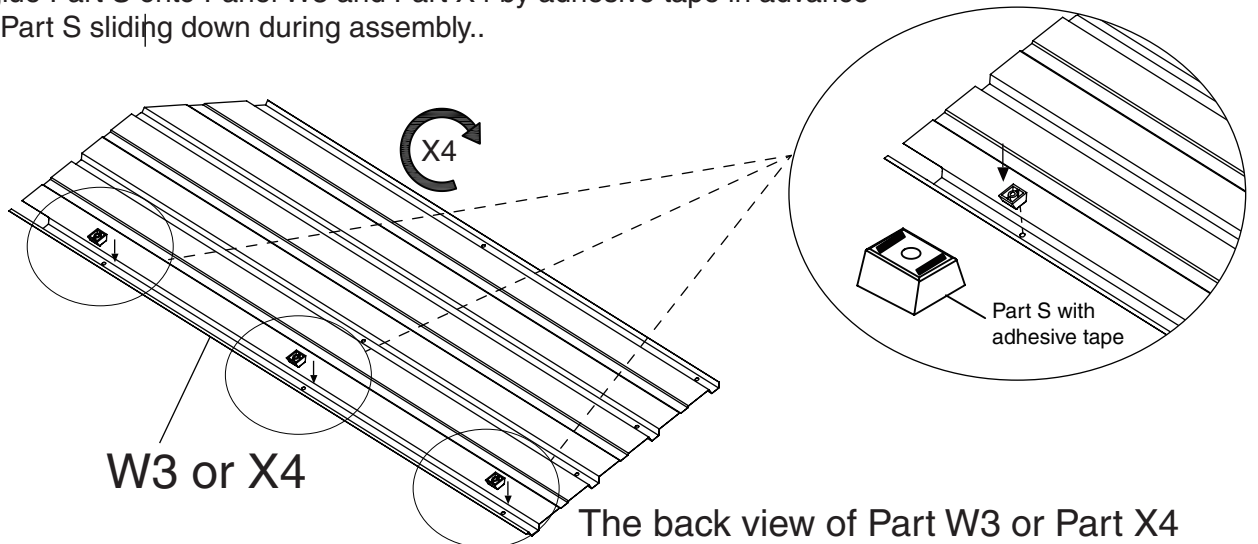
# Overall roof assembly:

Please put the panels on the frame anti-clockwisely



Tip:  
Wearing protective gloves is recommended.

**Tips:** For fastening roof panels (Part W3 and Part X4) easily, please glue Part S onto Panel W3 and Part X4 by adhesive tape in advance to avoid Part S sliding down during assembly..



# Parts Required:

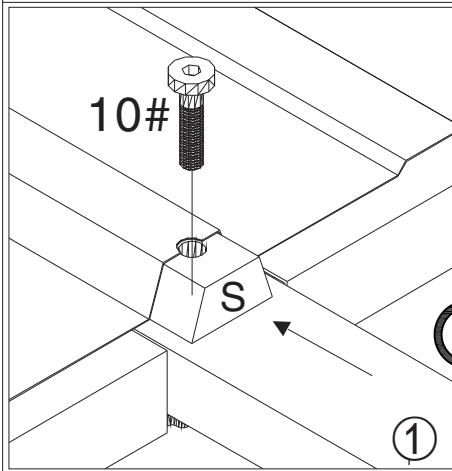
S x104

5# x64

6# x8

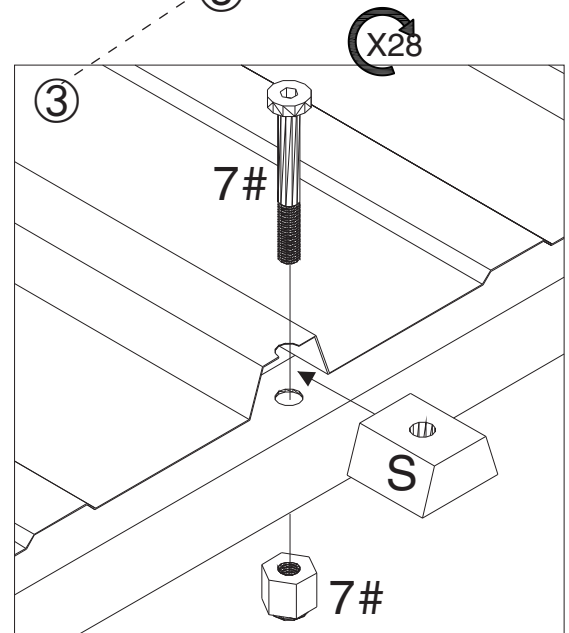
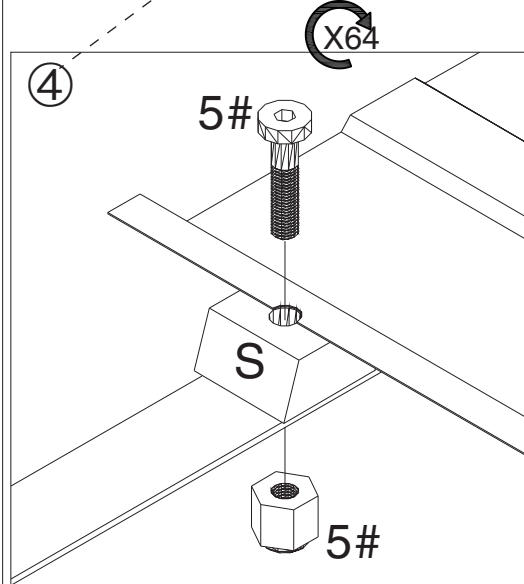
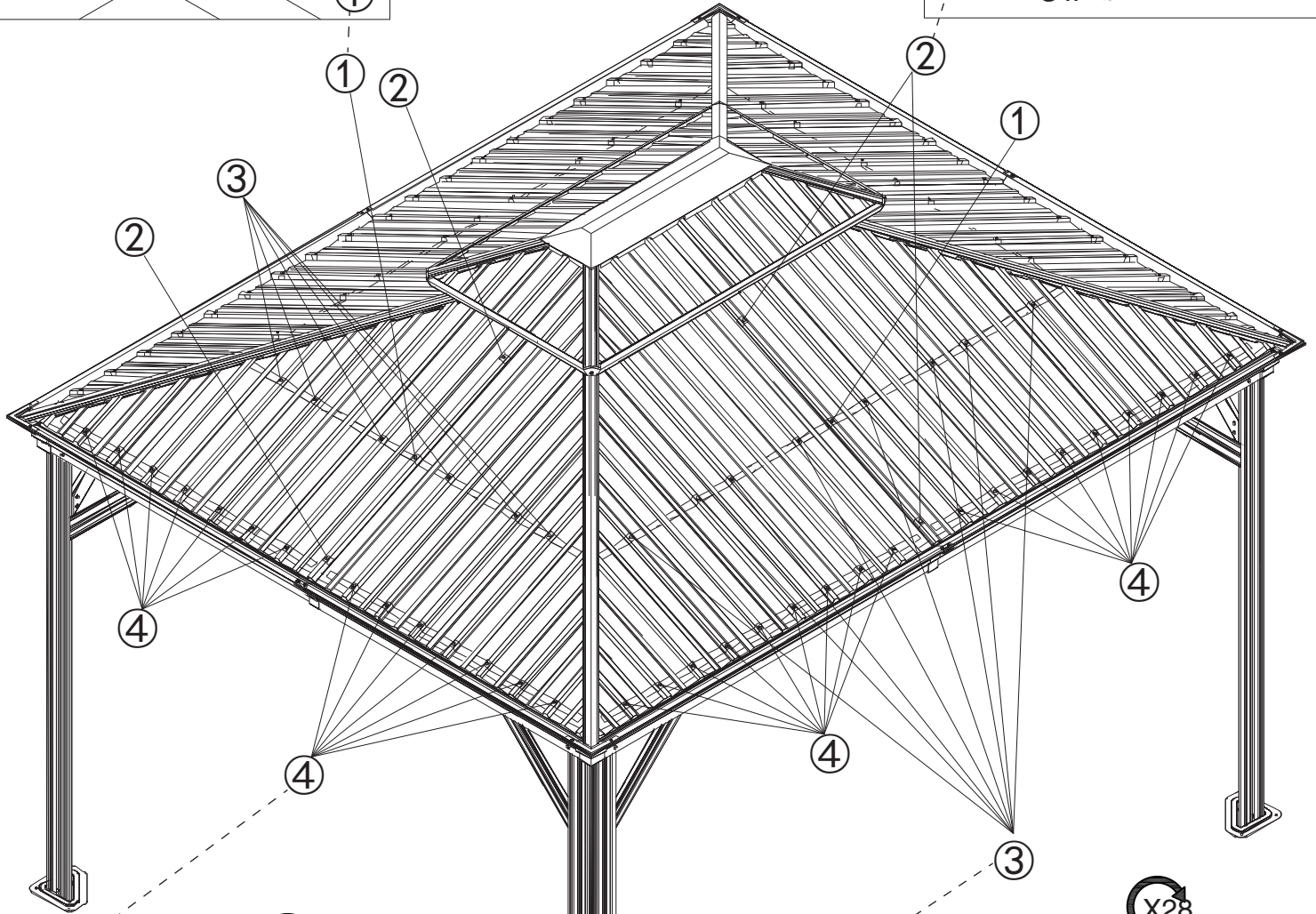
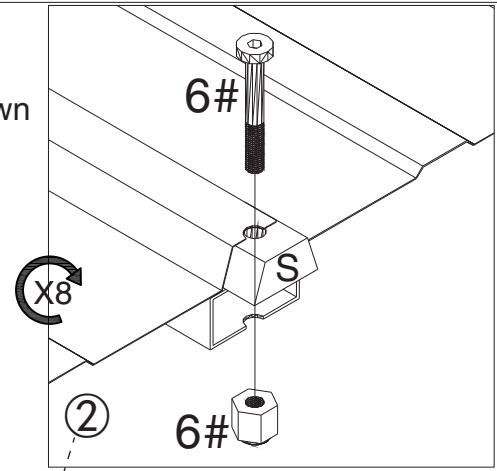
7# x28

10# x4

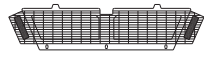


**Step 15:** Affix roof panels using screws and spacers (Part S) as shown in diagram.

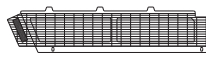
**Attention:**  
Put on one roof panel and fasten it accordingly before attaching second roof panel.



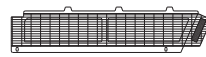
Parts Required:



P1 (x2)



Q1 (x2)



Q2 (x2)

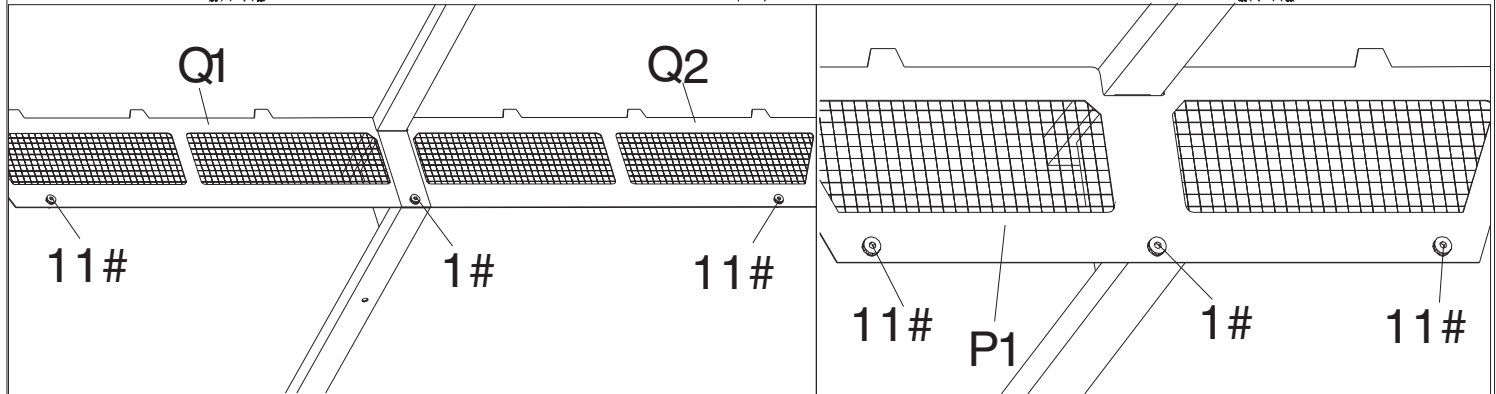
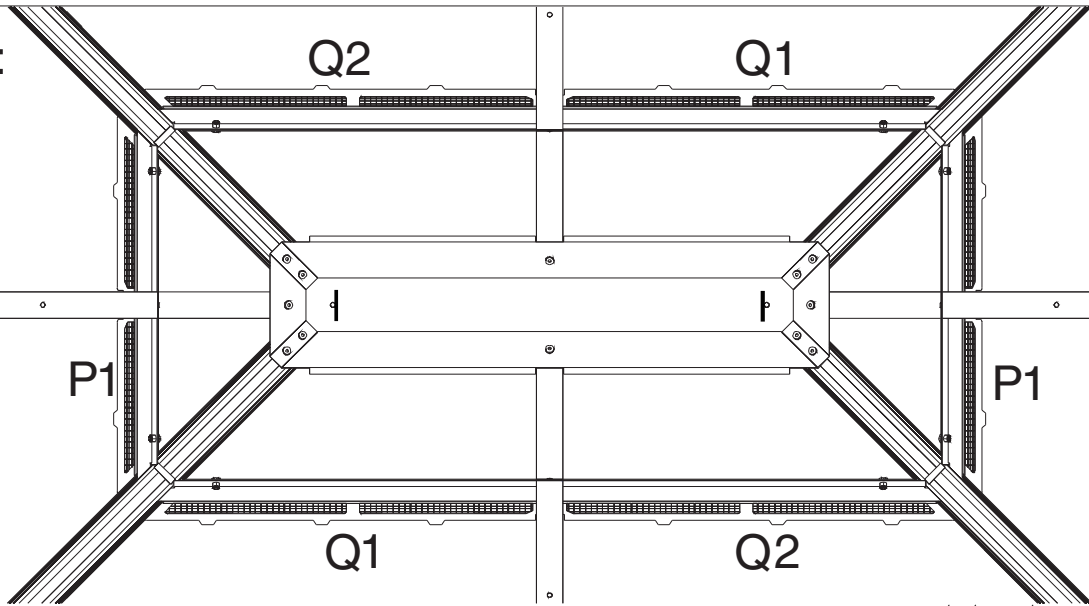


1#  
x4

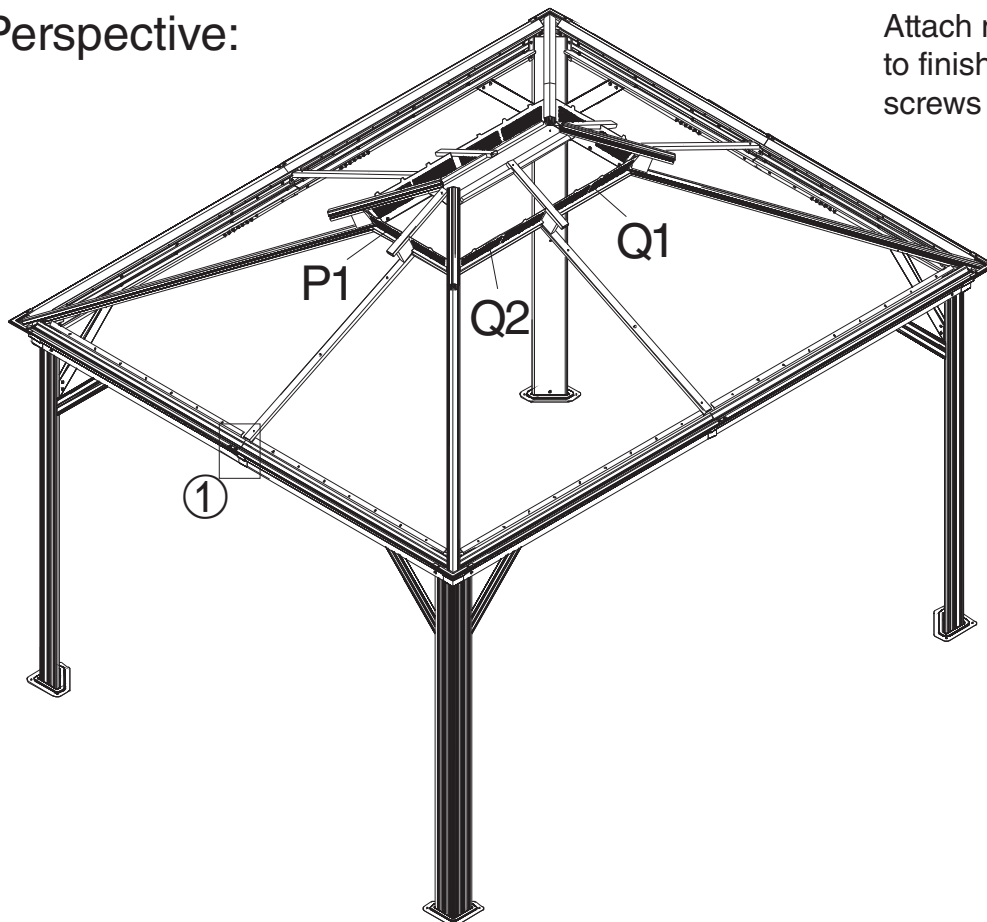


11#  
x8

Step 16:



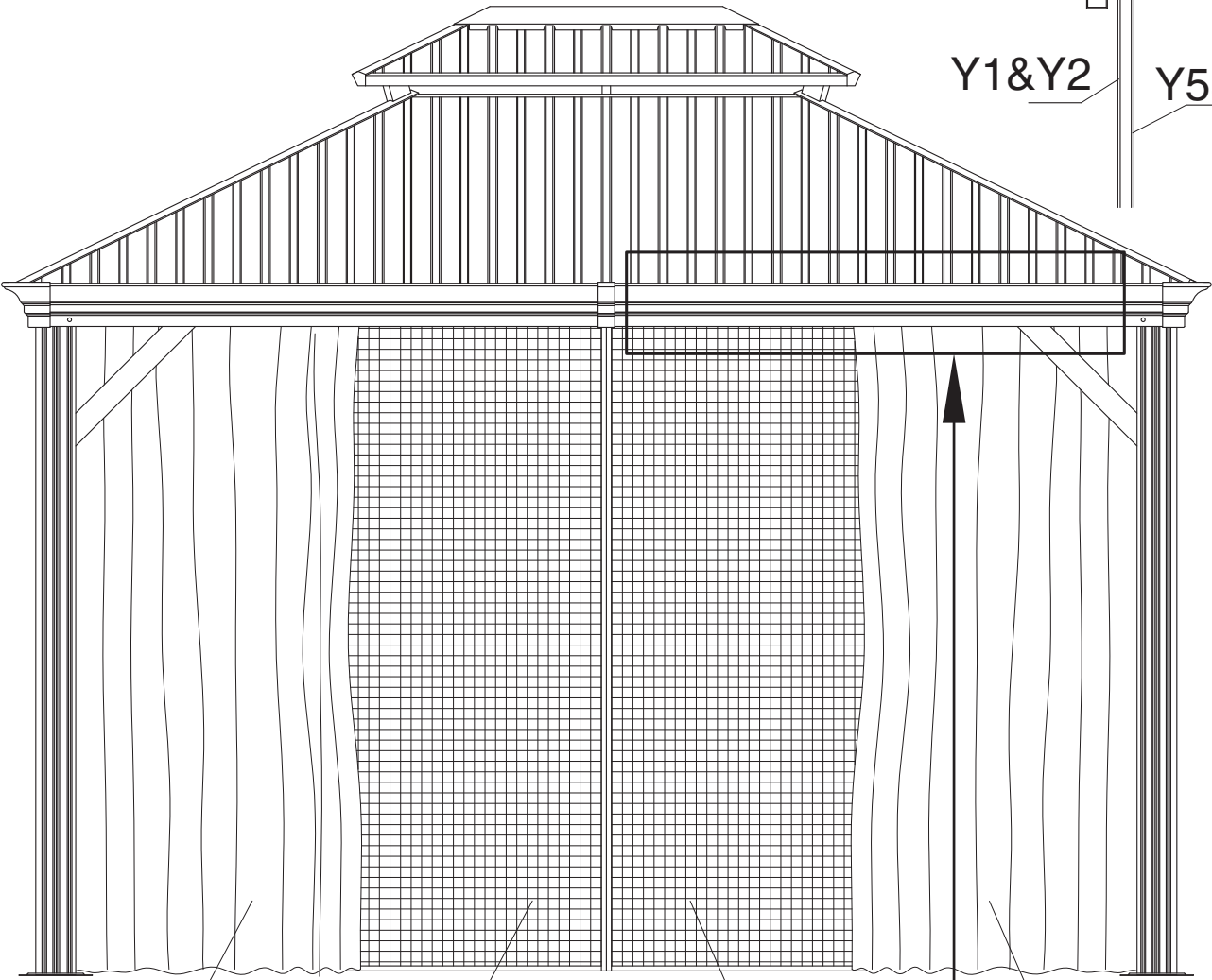
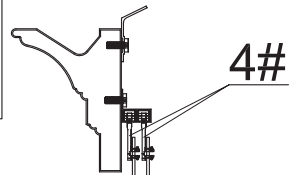
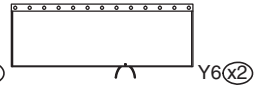
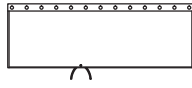
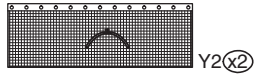
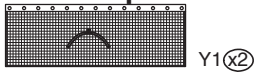
Perspective:



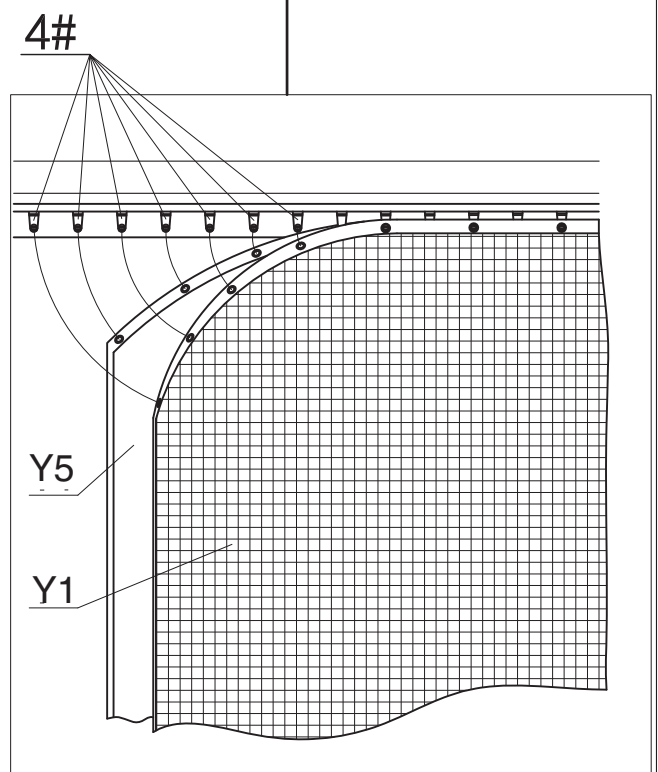
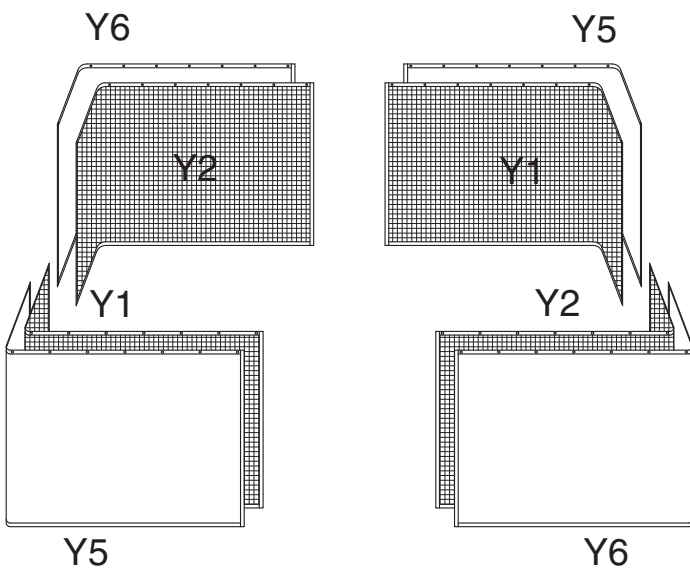
Attach net frames (Part P1,Q1&Q2) to finishing bars (Part P &Q) using screws 1#&11# as shown in diagram.



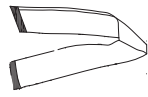
Parts Required:



**Step 17:** Hang up mosquito sidewalls and solid sidewalls as shown in diagram.

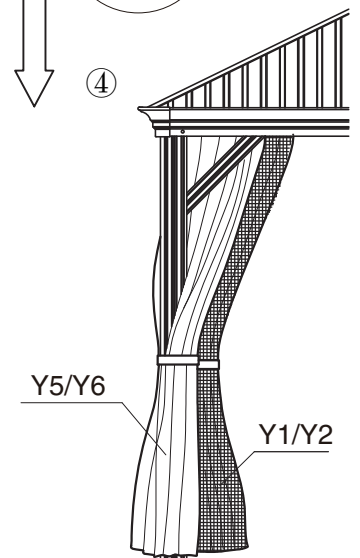
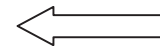
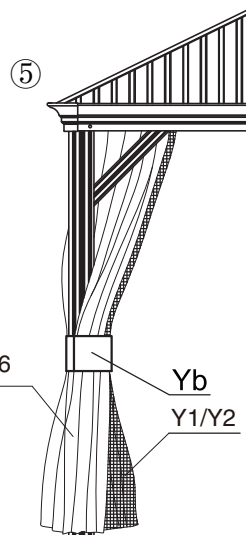
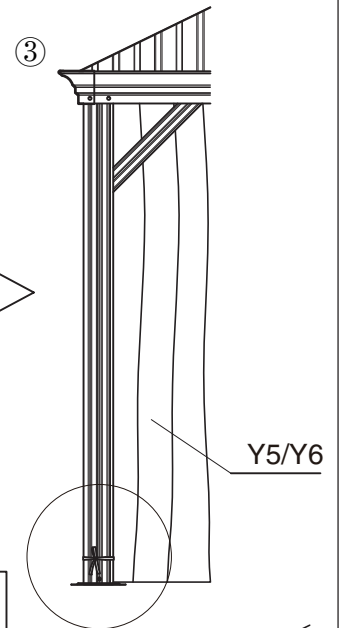
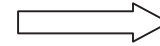
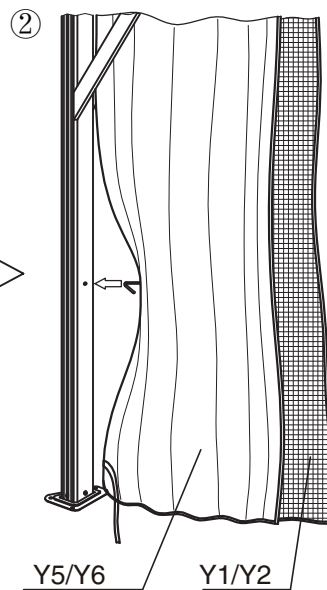
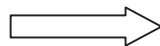
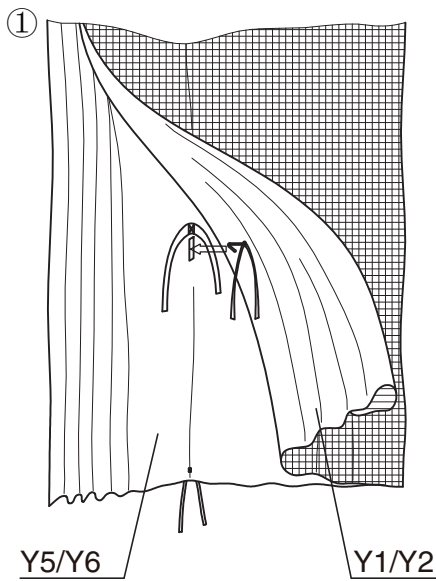


Parts Required:



Yb X4

Step 18: When you close the curtain, please refer to below steps to fix with poles as shown in diagram.



In the end, Check all screws are fixed tightly before using.



Enjoy Cozy Life!

**SUPPORT:**

Toll free: 1-866-355-0018

[www.kozyard.com](http://www.kozyard.com)

email: [support@kozyard.com](mailto:support@kozyard.com)

**SOCIAL MEDIA:**



Follow us on Instagram

[www.instagram.com/kozyard](http://www.instagram.com/kozyard)

10808 6th ST, Unit 100,  
Rancho Cucamonga, CA 91730